



# 25x25x10mm

- Airflow: 2.0~3.3 CFM
- Static Pressure: 3.7~6.3 mm-H<sub>2</sub>O
- Blade / Housing: Plastic Material UL 94V-0 P.B.T.
- Lead Wire: UL1571 #28 AWG
- Weight: 7.5 g

Model No.	Bearing	Rated Voltage VDC	Operating Voltage Range VDC	Speed RPM	Max. Airflow CFM	Max. Static Pressure mm-H <sub>2</sub> O	Current mA	Power Consumption W	Life at 40°C L10 Hour	P-Q Curve	Noise Level dB(A)
NYW02510005BL	2B	05	4~5.5	7000	2.0	3.7	80	0.40	80000	4	18.0
NYW02510005BM	2B		4~5.5	8500	2.4	4.5	110	0.55	80000	3	22.5
NYW02510005BH	2B		4~5.5	10000	2.8	5.3	140	0.70	75000	2	26.0
NYW02510005BS	2B		4~5.5	12000	3.3	6.3	190	0.95	65000	1	30.0
NYW02510012BL	2B	12	9~13.2	7000	2.0	3.7	40	0.48	80000	4	18.0
NYW02510012BM	2B		7~13.2	8500	2.4	4.5	50	0.60	80000	3	22.5
NYW02510012BH	2B		7~13.2	10000	2.8	5.3	65	0.78	75000	2	26.0
NYW02510012BS	2B		7~13.2	12000	3.3	6.3	80	0.96	65000	1	30.0

2: 2-ball bearing D: 1-ball 1-sleeve bearing L: sintetico bearing S: sleeve bearing

**Voltage Available**

05 12 24 48

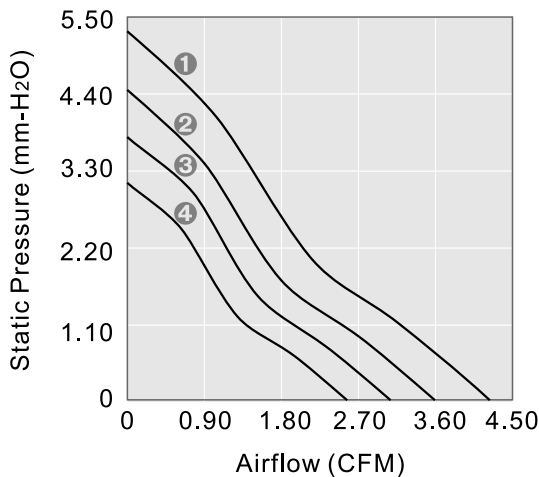
**Bearing System Available**

2B L S

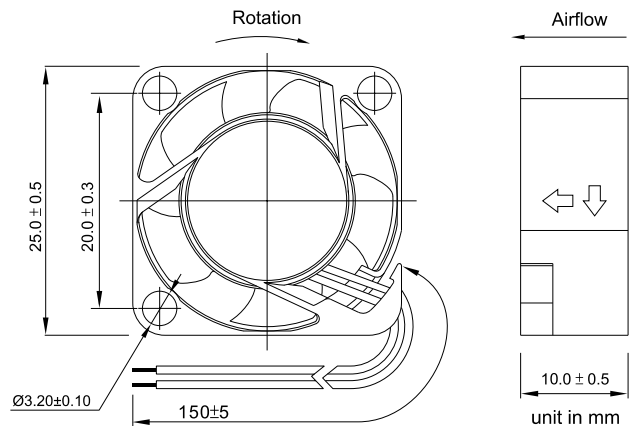
**Function Available**

- 1 6 5 4 3 2 7 8 9 10 11 14 12 13

### PERFORMANCE P-Q CURVE



### OUTLINE DIMENSIONS



Please refer to *Model Numbering System* for bearing, function and speed level indication. Specifications are subject to changes without notice. Please refer to the formally issued product specification via contacting Y.S. TECH sales department. Visit Y.S. TECH web site at <http://www.ystech.com.tw> for updated information. Customized Specifications are designed accordingly.