



# 25x25x15mm

- **Airflow: 2.1~2.6 CFM**
- **Static Pressure: 3.1~4.7 mm-H<sub>2</sub>O**
- **Blade / Housing:**  
**Plastic Material UL 94V-0 P.B.T.**
- **Lead Wire: UL1571 #28 AWG**
- **Weight: 10.0 g**

Model No.	Bearing	Rated Voltage	Operating Voltage Range	Speed	Max. Airflow	Max. Static Pressure	Current	Power Consumption	Life at 40°C L10	P-Q Curve	Noise Level
		VDC	VDC	RPM	CFM	mm-H <sub>2</sub> O	mA	W	Hour		dB(A)
YW02515005BM	2B	05	4~5.5	9000	2.1	3.1	70	0.35	80000	2	24.0
YW02515005BH	2B		4~5.5	11000	2.6	4.7	100	0.50	75000	1	28.0
YW02515012BM	2B	12	7~13.2	9000	2.1	3.1	45	0.54	80000	2	24.0
YW02515012BH	2B		7~13.2	11000	2.6	4.7	60	0.72	75000	1	28.0

2B: 2-ball bearing D: 1-ball 1-sleeve bearing L: sintetico bearing S: sleeve bearing

**Voltage Available**

05 12 24 48

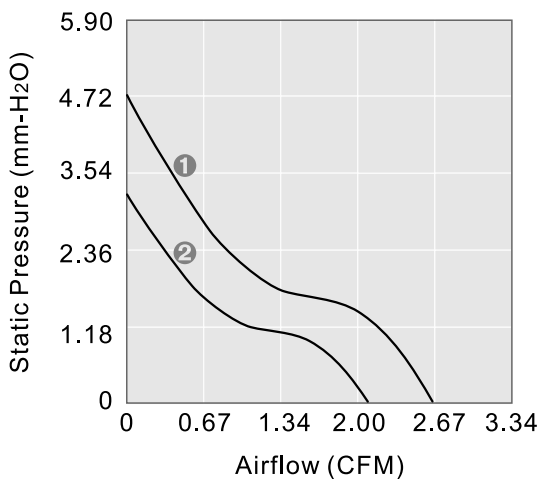
**Bearing System Available**

2B L S

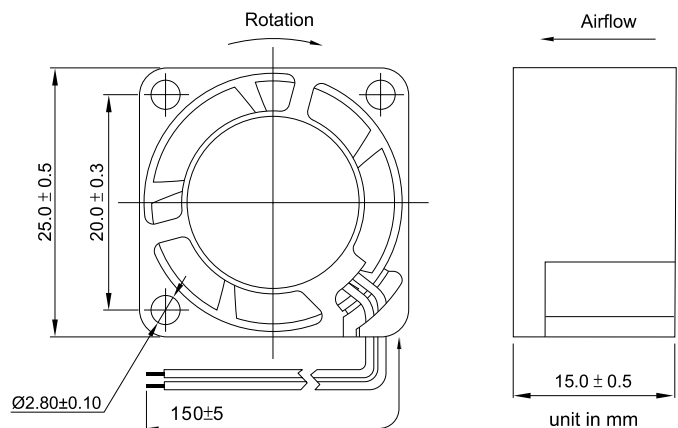
**Function Available**

1 6 5 4 3 2 7 8 9 10 11 14 12 U

**PERFORMANCE P-Q CURVE**



**OUTLINE DIMENSIONS**



Please refer to *Model Numbering System* for bearing, function and speed level indication. Specifications are subject to changes without notice. Please refer to the formally issued product specification via contacting Y.S. TECH sales department. Visit Y.S. TECH web site at <http://www.ystech.com.tw> for updated information. Customized Specifications are designed accordingly.