



40x40x20mm

- Airflow: 5.7~12.0 CFM
- Static Pressure: 3.2~11.5 mm-H₂O
- Blade / Housing: Plastic Material UL 94V-0 P.B.T.
- Lead Wire: UL1007 #26 AWG
- Weight: 24 g

Model No.	Bearing	Rated Voltage VDC	Operating Voltage Range VDC	Speed RPM	Max. Airflow CFM	Max. Static Pressure mm-H ₂ O	Current mA	Power Consumption W	Life at 40°C L10 Hour	P-Q Curve	Noise Level dB(A)
HYW04020012BL	2B	12	7~13.2	5000	5.7	3.2	70	0.84	80000	5	20.0
HYW04020012BM	2B	12	7~13.2	6300	7.2	5.2	100	1.20	80000	4	25.5
HYW04020012BH	2B	12	7~13.2	7600	9.0	6.4	140	1.68	75000	3	29.5
HYW04020012BS	2B	12	7~13.2	8900	10.5	9.2	170	2.04	65000	2	33.5
HYW04020012BSS2B	2B	12	7~13.2	10000	12.0	11.5	210	2.52	65000	1	37.5
HYW04020024BL	2B	24	12~26.4	5000	5.7	3.2	40	0.96	80000	5	20.0
HYW04020024BM	2B	24	12~26.4	6300	7.2	5.2	50	1.20	80000	4	25.5
HYW04020024BH	2B	24	12~26.4	7600	9.0	6.4	70	1.68	75000	3	29.5
HYW04020024BS	2B	24	12~26.4	8900	10.5	9.2	100	2.40	65000	2	33.5
HYW04020024BSS2B	2B	24	12~26.4	10000	12.0	11.5	120	2.88	65000	1	37.5

2B: 2-ball bearing D: 1-ball 1-sleeve bearing L: sintetico bearing S: sleeve bearing

Voltage Available

05 12 24 48

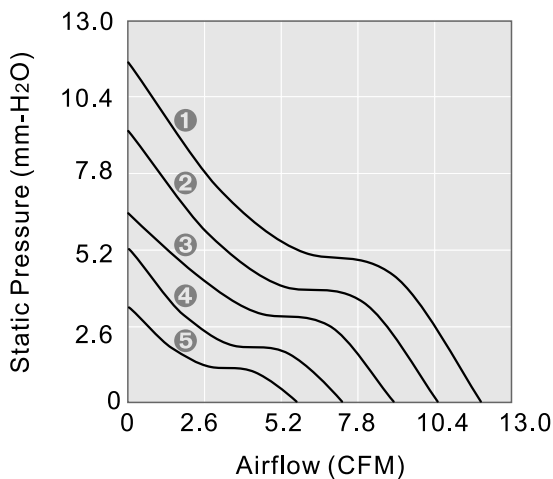
Bearing System Available

2B L S

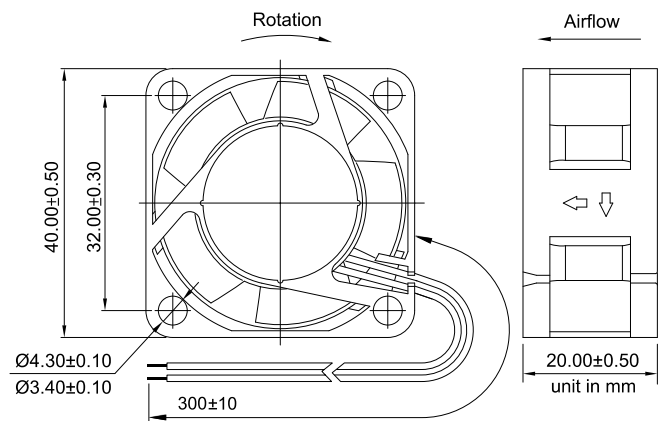
Function Available

- 1 6 5 4 3 2 7 8 9 10 11 14 12 13

PERFORMANCE P-Q CURVE



OUTLINE DIMENSIONS



DC AXIAL FAN

DC BLOWER

XTREME SERIES

AC AXIAL FAN