



# 50x50x20mm

- Airflow: 8.9~14.0 CFM
- Static Pressure: 2.1~5.5 mm-H<sub>2</sub>O
- Blade / Housing: Plastic Material UL 94V-0 P.B.T.
- Lead Wire: UL1007 #26 AWG
- Weight: 36.0 g

Model No.	Bearing	Rated Voltage VDC	Operating Voltage Range VDC	Speed RPM	Max. Airflow CFM	Max. Static Pressure mm-H <sub>2</sub> O	Current mA	Power Consumption W	Life at 40°C L10 Hour	P-Q Curve	Noise Level dB(A)
YW05020012SL	S	12	7~13.2	3500	8.9	2.1	60	0.72	30000	3	22.5
YW05020012SM	S		7~13.2	4300	11.0	4.0	90	1.08	30000	2	25.0
YW05020012SH	S		7~13.2	5300	13.2	4.7	110	1.32	25000	1	30.0
YW05020012BL	2B		7~13.2	3900	10.0	2.5	60	0.72	80000	3	23.5
YW05020012BM	2B		7~13.2	4800	12.2	4.0	90	1.08	80000	2	28.0
YW05020012BH	2B		7~13.2	5600	14.0	5.5	110	1.32	75000	1	32.5

2B: 2-ball bearing D: 1-ball 1-sleeve bearing L: sintetico bearing S: sleeve bearing

**Voltage Available**

05 12 24 48

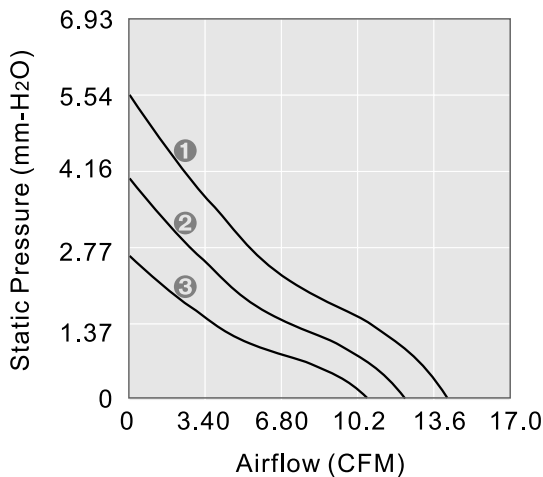
**Bearing System Available**

2B L S

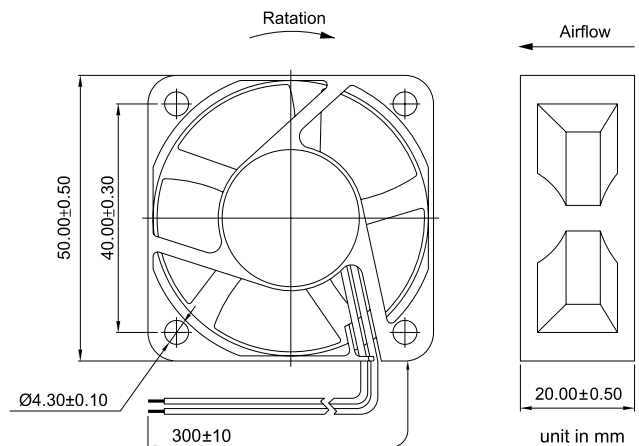
**Function Available**

1 6 5 4 3 2 7 8 9 10 11 14 12 13

**PERFORMANCE P-Q CURVE**



**OUTLINE DIMENSIONS**



unit in mm