



80x80x15mm

- Airflow: 23.5~50.2 CFM
- Static Pressure: 1.4~5.8 mm-H₂O
- Blade / Housing: Plastic Material UL 94V-0 P.B.T.
- Lead Wire: UL1007 #26 AWG
- Weight: 50.0 g

Model No.	Bearing	Rated Voltage	Operating Voltage Range	Speed	Max. Airflow	Max. Static Pressure	Current	Power Consumption	Life at 40°C L10	P-Q Curve	Noise Level
		VDC	VDC	RPM	CFM	mm-H ₂ O	mA	W	Hour		dB(A)
YW08015012BL	2B	12	7~13.2	2100	23.5	1.4	70	0.84	8····	5	19.0
YW08015012BM	2B		7~13.2	2600	29.1	1.9	100	1.20	8····	4	27.0
YW08015012BH	2B		7~13.2	3200	35.8	2.7	190	2.28	75···	3	33.0
YW08015012BS	2B		7~13.2	3900	43.6	4.3	250	3.00	65···	2	38.5
YW08015012BSS	2B		7~13.2	4500	50.2	5.8	380	4.56	65···	1	42.0

2B: 2-ball bearing D: 1-ball 1-sleeve bearing L: sintetico bearing S: sleeve bearing

Voltage Available

05 12 24 48

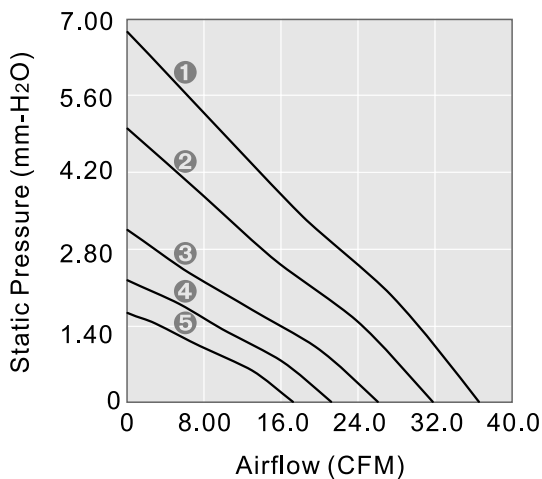
Bearing System Available

2B L S

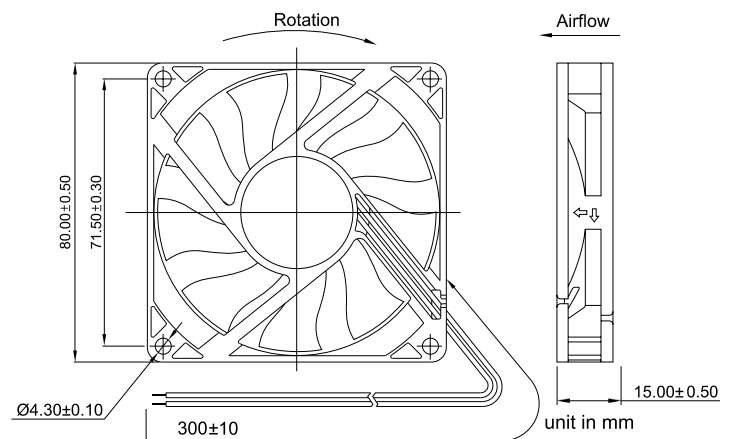
Function Available

- 1 6 5 4 3 2 7 8 9 10 11 14 12 13

PERFORMANCE P-Q CURVE



OUTLINE DIMENSIONS



DC AXIAL FAN

DC BLOWER

XTREME SERIES

AC AXIAL FAN