



# 120x120x25mm

- Airflow: 73.0~123.0 CFM
- Static Pressure: 2.6~7.6 mm-H<sub>2</sub>O
- Blade / Housing: Plastic Material UL 94V-0 P.B.T.
- Lead Wire: UL1007 #22 AWG
- Weight: 160 g

Model No.	Bearing	Rated Voltage	Operating Voltage Range	Speed	Max. Airflow	Max. Static Pressure	Current	Power Consumption	Life at 40°C L10	P-Q Curve	Noise Level
		VDC	VDC	RPM	CFM	mm-H <sub>2</sub> O	mA	W	Hour		dB(A)
YW12025012BL	2B	12	7~13.2	1800	73.0	2.6	180	2.16	8000	4	34.0
YW12025012BM	2B		7~13.2	2200	87.8	3.9	290	3.48	8000	3	40.5
YW12025012BH	2B		7~13.2	2600	106.1	5.8	460	5.52	7500	2	44.0
YW12025012BS	2B		7~13.2	3000	123.1	7.6	570	6.84	6500	1	49.0
YW12025024BL	2B	24	12~26.4	1800	73.0	2.6	100	2.40	8000	4	34.0
YW12025024BM	2B		12~26.4	2200	87.8	3.9	160	3.84	8000	3	40.5
YW12025024BH	2B		12~26.4	2600	106.1	5.8	280	6.72	7500	2	44.0
YW12025024BS	2B		12~26.4	3000	123.1	7.6	390	9.36	6500	1	49.0
YW12025048BL	2B	48	24~56.0	1800	73.0	2.6	60	2.88	8000	4	34.0
YW12025048BM	2B		24~56.0	2200	87.8	3.9	80	3.84	8000	3	40.5
YW12025048BH	2B		24~56.0	2600	106.1	5.8	110	5.28	7500	2	44.0
YW12025048BS	2B		24~56.0	3000	123.1	7.6	190	9.12	6500	1	49.0

2B: 2-ball bearing D: 1-ball 1-sleeve bearing L: sintetico bearing S: sleeve bearing

**Voltage Available**

05 12 24 48

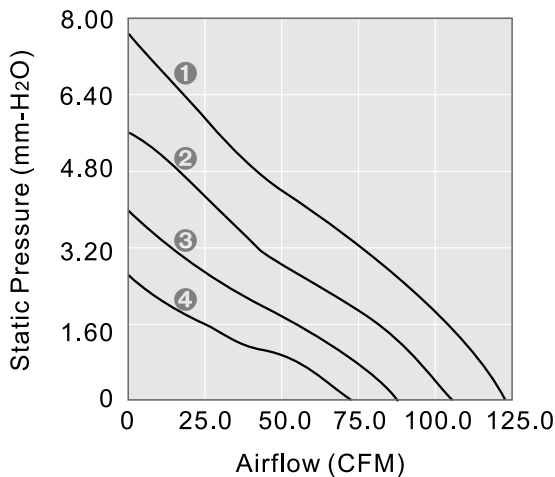
**Bearing System Available**

2B L S

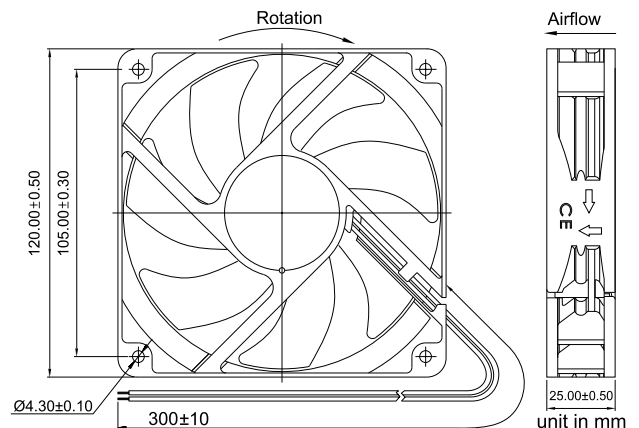
**Function Available**

- 1 6 5 4 3 2 7 8 9 10 11 14 12 13

**PERFORMANCE P-Q CURVE**



**OUTLINE DIMENSIONS**



DC AXIAL FAN

DC BLOWER

XTREME SERIES

AC AXIAL FAN