



120x120x38mm

- Airflow: 89.5~135.0 CFM
- Static Pressure: 3.9~8.6 mm-H₂O
- Blade / Housing: Plastic Material UL 94V-0 P.B.T.
- Lead Wire: UL1007 #22 AWG
- Weight: 220 g

| Model No. | Bearing | Rated Voltage | Operating Voltage Range | Speed | Max. Airflow | Max. Static Pressure | Current | Power Consumption | Life at 40°C L10 | P-Q Curve | Noise Level |
|--------------|---------|---------------|-------------------------|-------|--------------|----------------------|---------|-------------------|------------------|-----------|-------------|
| | | VDC | VDC | RPM | CFM | mm-H ₂ O | mA | W | Hour | | dB(A) |
| YW12038012BL | 2B | 12 | 7~13.2 | 2000 | 89.5 | 3.9 | 320 | 3.84 | 8···· | 4 | 36.0 |
| YW12038012BM | 2B | | 7~13.2 | 2400 | 107.7 | 5.8 | 420 | 5.04 | 8···· | 3 | 41.0 |
| YW12038012BH | 2B | | 7~13.2 | 2800 | 125.5 | 7.6 | 660 | 7.92 | 75··· | 2 | 45.0 |
| YW12038012BS | 2B | | 7~13.2 | 3000 | 135.0 | 8.6 | 830 | 9.96 | 65··· | 1 | 47.0 |
| YW12038024BL | 2B | 24 | 12~26.4 | 2000 | 89.5 | 3.9 | 150 | 3.60 | 8···· | 4 | 36.0 |
| YW12038024BM | 2B | | 12~26.4 | 2400 | 107.7 | 5.8 | 250 | 6.00 | 8···· | 3 | 41.0 |
| YW12038024BH | 2B | | 12~26.4 | 2800 | 125.5 | 7.6 | 360 | 8.64 | 75··· | 2 | 45.0 |
| YW12038024BS | 2B | | 12~26.4 | 3000 | 135.0 | 8.6 | 410 | 9.84 | 65··· | 1 | 47.0 |
| YW12038048BL | 2B | 48 | 24~56.0 | 2000 | 89.5 | 3.9 | 120 | 5.76 | 8···· | 4 | 36.0 |
| YW12038048BM | 2B | | 24~56.0 | 2400 | 107.7 | 5.8 | 140 | 6.72 | 8···· | 3 | 41.0 |
| YW12038048BH | 2B | | 24~56.0 | 2800 | 125.5 | 7.6 | 180 | 8.64 | 75··· | 2 | 45.0 |
| YW12038048BS | 2B | | 24~56.0 | 3000 | 135.0 | 8.6 | 210 | 10.08 | 65··· | 1 | 47.0 |

2B: 2-ball bearing D: 1-ball 1-sleeve bearing L: sintetico bearing S: sleeve bearing

Voltage Available

05 12 24 48

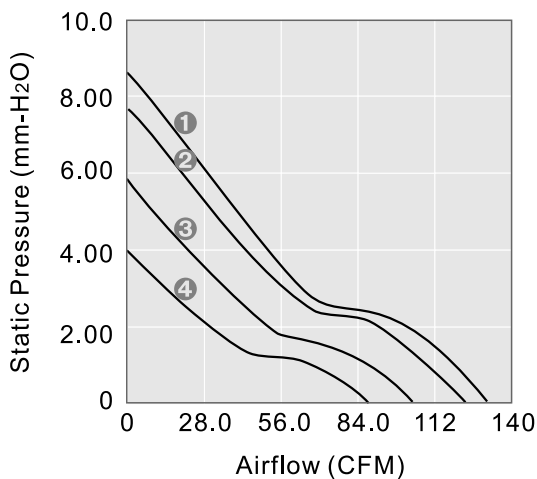
Bearing System Available

2B L S

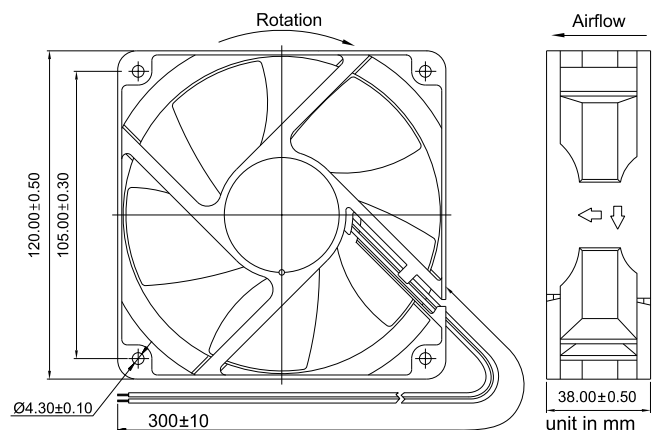
Function Available

- 1 6 5 4 3 2 7 8 9 10 11 14 12 13

PERFORMANCE P-Q CURVE



OUTLINE DIMENSIONS



DC AXIAL FAN

DC BLOWER

XTREME SERIES

AC AXIAL FAN