



120x120x38mm

- Airflow: 115.5~135.0 CFM
- Static Pressure: 9.15~13.2 mm-H₂O
- Blade / Housing: Plastic Material UL 94V-0 P.B.T.
- Lead Wire: UL1007 #22 AWG
- Weight: 220 g

Model No.	Bearing	Rated Voltage VDC	Operating Voltage Range VDC	Speed RPM	Max. Airflow CFM	Max. Static Pressure mm-H ₂ O	Current mA	Power Consumption W	Life at 40°C L10 Hour	P-Q Curve	Noise Level dB(A)
NYW12038012BM	2B	12	7~13.2	3500	115.0	9.1	560	6.72	8000	3	48.0
NYW12038012BH	2B	12	7~13.2	3800	125.8	9.8	680	8.16	7500	2	49.5
NYW12038012BS	2B	12	7~13.2	3900	129.8	11.0	850	10.2	6500	1	52.0
NYW12038024BM	2B	24	12~26.4	3500	115.0	9.1	380	9.12	8000	3	48.0
NYW12038024BH	2B	24	12~26.4	3800	125.8	9.8	420	10.08	7500	2	49.5
NYW12038024BS	2B	24	12~26.4	4100	135.0	13.2	470	11.28	6500	1	53.0
NYW12038048BM	2B	48	24~56.0	3500	115.0	9.1	130	6.24	8000	3	48.0
NYW12038048BH	2B	48	24~56.0	3800	125.8	9.8	160	7.68	7500	2	49.5
NYW12038048BS	2B	48	24~56.0	4100	135.0	13.2	230	11.04	6500	1	53.0

2B: 2-ball bearing D: 1-ball 1-sleeve bearing L: sintetico bearing S: sleeve bearing

Voltage Available

05 12 24 48

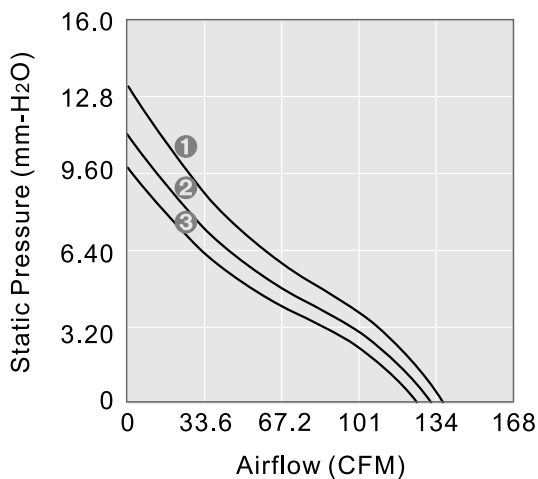
Bearing System Available

2B L S

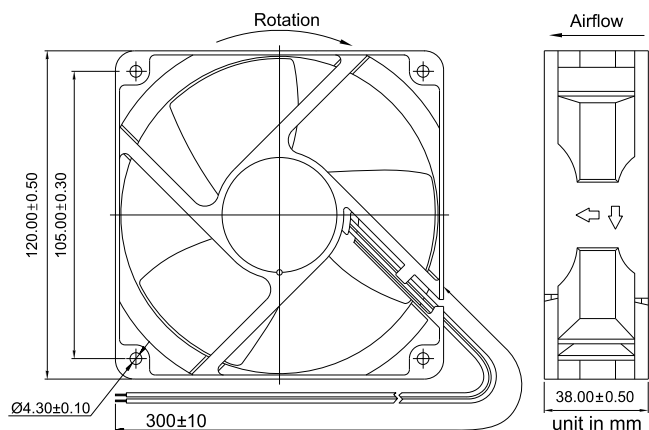
Function Available

- 1 6 5 4 3 2 7 8 9 10 11 14 12 13

PERFORMANCE P-Q CURVE



OUTLINE DIMENSIONS



Please refer to Model Numbering System for bearing, function and speed level indication. Specifications are subject to changes without notice. Please refer to the formally issued product specification via contacting Y.S. TECH sales department. Visit Y.S. TECH web site at <http://www.ystech.com.tw> for updated information. Customized Specifications are designed accordingly.