

AXIAL DC FANS



DC TUBE AXIAL FAN

Impeller/Frame

UL94V-0 Black Plastic

Lead Wire

UL 1007, 22 AWG

Bearing System

2 Ball Bearings or Sleeve Bearing

Operating Temperature

Ball Bearings: -40°C to + 70°C

Sleeve Type: -25°C to + 70° C

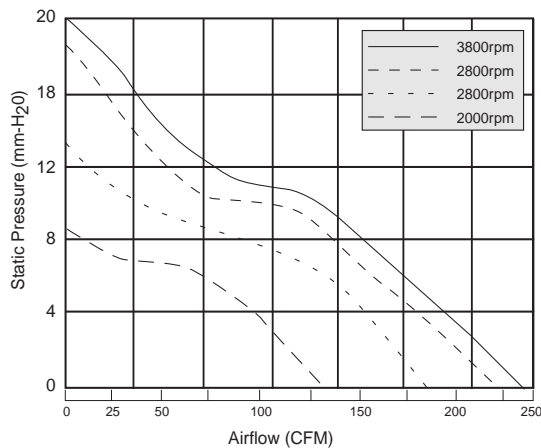
Safety Approval

UL/CUL #195825

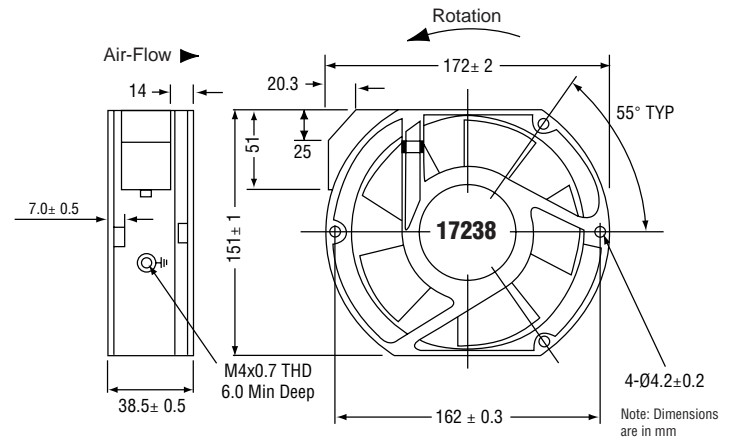
SERIES DC17238



PERFORMANCE CURVE



MECHANICAL DRAWING



120x120x38mm

Specifications are subject to change without notice

MODEL No.	RATED VOLTAGE (VDC)	RATED CURRENT (mA)	RATED POWER (W)	SPEED RPM	CFM	PRESSURE mm/h20	NOISE dBa
WW17238012BL	12	450	9	2000	125	9	30
WW17238012BM	12	1100	11	2800	185	13	41
WW17238012BH	12	1900	19	3700	230	18	53
WW17238024BL	24	200	11	2000	125	9	30
WW17238024BM	24	520	15	2800	185	13	41
WW17238024BH	24	970	23	3800	230	18	53
WW17238048BL	48	120	10	2000	125	9	30
WW17238048BM	48	300	16	2800	185	13	41
WW17238048BH	48	480	22	3800	230	18	53