



# 25x25x10mm

- Airflow: 2.0~3.3 CFM
- Static Pressure: 3.7~6.3 mm-H<sub>2</sub>O
- Blade / Housing: Plastic Material UL 94V-0 P.B.T.
- Lead Wire: UL1571 #28 AWG
- Weight: 7.5 g

DC AXIAL FAN

DC BLOWER

XTRME SERIES

AC AXIAL FAN

Model No.	Bearing	Rated Voltage	Operating Voltage Range	Speed	Max. Airflow	Max. Static Pressure	Current	Power Consumption	Life at 40°C L10	P-Q Curve	Noise Level
		VDC	VDC	RPM	CFM	mm-H <sub>2</sub> O	mA	W	Hour		dB(A)
NYW02510005BL	2B	05	4~5.5	7000	2.0	3.7	75	0.38	80000	4	18.0
NYW02510005BM	2B		4~5.5	8500	2.4	4.5	110	0.55	80000	3	22.5
NYW02510005BH	2B		4~5.5	10000	2.8	5.3	140	0.70	75000	2	26.0
NYW02510005BS	2B		4~5.5	12000	3.3	6.3	180	0.90	65000	1	30.0
NYW02510005LL	L		4~5.5	7000	2.0	3.7	80	0.40	50000	4	<17.0
NYW02510005LM	L	4~5.5	8500	2.4	4.5	80	0.40	50000	3	19.2	
NYW02510012BL	2B	12	9~13.2	7000	2.0	3.7	40	0.48	80000	4	18.0
NYW02510012BM	2B		7~13.2	8500	2.4	4.5	50	0.60	80000	3	22.5
NYW02510012BH	2B		7~13.2	10000	2.8	5.3	65	0.78	75000	2	26.0
NYW02510012BS	2B		7~13.2	12000	3.3	6.3	70	0.84	65000	1	30.0
NYW025100012LL	L		9~13.2	7000	2.0	3.7	40	0.48	50000	4	<17.0
NYW025100012LM	L	7~13.2	8500	2.4	4.5	50	0.60	50000	3	19.2	

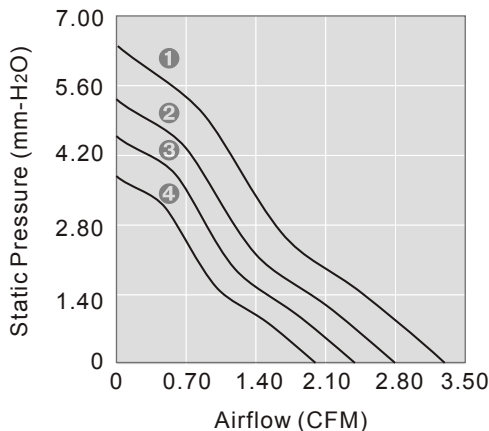
2B: 2-ball bearing L: sintetico bearing S: sleeve bearing

Voltage Available  
**05 12 24 48**

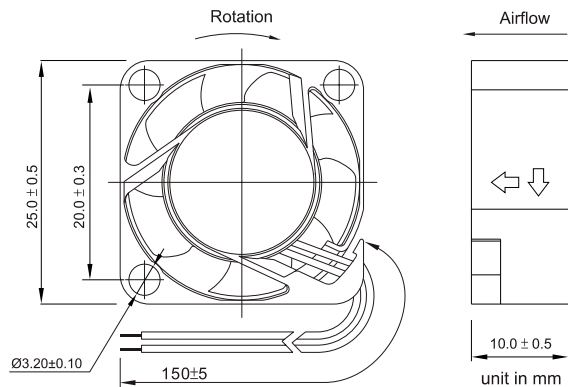
Bearing System Available  
**2B L S**

Function Available  
**1 6 5 4 3 2 7 8 9 10 11 14 12**

### PERFORMANCE P-Q CURVE



### OUTLINE DIMENSIONS



Please refer to *Model Numbering System* for bearing, function and speed level indication. Specifications are subject to changes without notice. Please refer to the formally issued product specification via contacting Y.S. TECH sales department. Visit Y.S. TECH web site at <http://www.ystechusa.com/> for updated information. Customized Specifications are designed accordingly.