



40x40x10mm

- Airflow: 4.5~9.2 CFM
- Static Pressure: 2.0~6.4 mm-H₂O
- Blade / Housing: Plastic Material UL 94V-0 P.B.T.
- Lead Wire: UL1007 #26 AWG
- Weight: 15 g

DC AXIAL FAN

DC BLOWER

Model No.	Bearing	Rated Voltage	Operating Voltage Range	Speed	Max. Airflow	Max. Static Pressure	Current	Power Consumption	Life at 40°C L10	P-Q Curve	Noise Level
		VDC	VDC	RPM	CFM	mm-H ₂ O	mA	W	Hour		dB(A)
YW04010005BL	2B	05	4~5.5	4500	4.5	2.0	90	0.45	80000	5	21.5
YW04010005BM	2B		4~5.5	5500	5.6	2.9	130	0.65	80000	4	26.5
YW04010005BH	2B		4~5.5	6500	6.6	4.1	170	0.85	75000	3	29.0
YW04010005BS	2B		4~5.5	7500	8.1	5.4	250	1.25	65000	2	34.5
YW04010005BSS	2B		4~5.5	8000	8.5	6.1	300	1.50	65000	0	36.5
YW04010012BL	2B	12	7~13.2	4500	4.5	2.0	45	0.54	80000	5	21.5
YW04010012BM	2B		7~13.2	5500	5.3	2.9	65	0.78	80000	4	25.0
YW04010012BH	2B		7~13.2	6500	6.6	4.1	75	0.90	75000	3	29.0
YW04010012BS	2B		7~13.2	7500	8.1	5.4	100	1.20	65000	2	34.5
YW04010012BSS	2B		7~13.2	8500	9.2	6.4	120	1.44	65000	1	37.0
YW04010024BL	2B	24	12~26.4	4500	4.5	2.0	50	1.20	80000	5	21.5
YW04010024BM	2B		12~26.4	5500	5.3	2.9	60	1.44	80000	4	25.0
YW04010024BH	2B		12~26.4	6500	6.6	4.1	70	1.68	75000	3	29.0

2B: 2-ball bearing L: sintetico bearing S: sleeve bearing

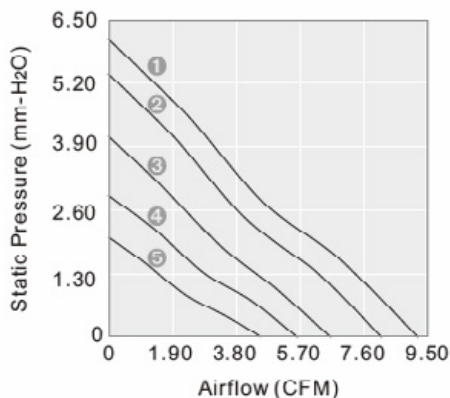
Voltage Available
05 12 24 48

Bearing System Available
2B L S

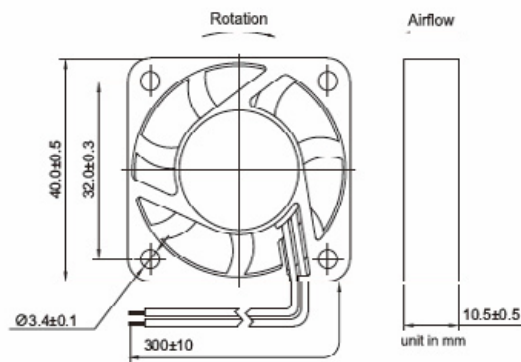
Function Available
1 6 5 4 3 2 7 8 9 10 11 14 12 13

XTREME SERIES

PERFORMANCE P-Q CURVE



OUTLINE DIMENSIONS



AC AXIAL FAN

Please refer to *Model Numbering System* for bearing, function and speed level indication. Specifications are subject to changes without notice. Please refer to the formally issued product specification via contacting Y.S. TECH sales department. Visit Y.S. TECH web site at <http://www.ystechusa.com/> for updated information. Customized Specifications are designed accordingly.