



40x40x15mm

- Airflow: 6.1~9.5 CFM
- Static Pressure: 4.6~8.7 mm-H₂O
- Blade / Housing: Plastic Material UL 94V-0 P.B.T.
- Lead Wire: UL1007 #26 AWG
- Weight: 26 g

DC AXIAL FAN

DC BLOWER

XTRME SERIES

AC AXIAL FAN

Model No.	Bearing	Rated Voltage	Operating Voltage Range	Speed	Max. Airflow	Max. Static Pressure	Current	Power Consumption	Life at 40°C L10	P-Q Curve	Noise Level
		VDC	VDC	RPM	CFM	mm-H ₂ O	mA	W	Hour		dB(A)
YW04015005BL	2B	05	4~5.5	6000	6.1	4.6	200	1.00	80000	3	28.0
YW04015005BM	2B		4~5.5	7300	7.5	6.8	280	1.40	80000	2	32.0
YW04015012BL	2B		7~13.2	6000	6.1	4.6	70	0.84	80000	3	28.0
YW04015012BM	2B	12	7~13.2	7300	7.5	6.8	110	1.22	80000	2	32.0
YW04015012BH	2B		7~13.2	8600	9.5	8.7	160	1.92	75000	1	36.5
YW04015012SL	S		7~13.2	5800	5.8	4.2	80	0.96	30000	3	24.5
YW04015012SM	S		7~13.2	7300	7.5	6.8	100	1.20	30000	2	32.0
YW04015012SH	S		7~13.2	8600	9.5	8.7	140	1.68	25000	1	36.5

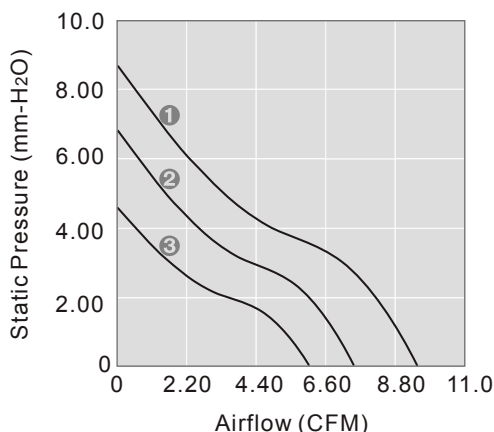
2B: 2-ball bearing L: sintetico bearing S: sleeve bearing

Voltage Available
05122448

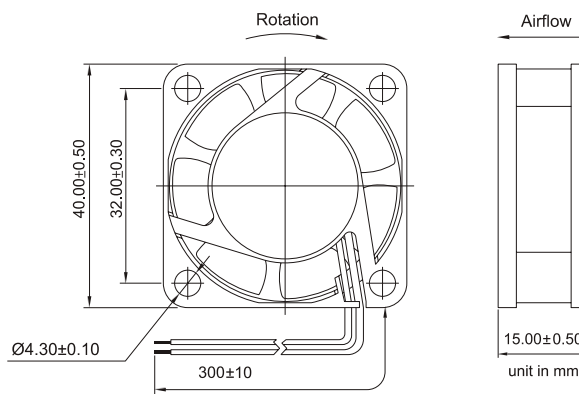
Bearing System Available
2BLS

Function Available
1654327891011141213

PERFORMANCE P-Q CURVE



OUTLINE DIMENSIONS



Please refer to *Model Numbering System* for bearing, function and speed level indication. Specifications are subject to changes without notice. Please refer to the formally issued product specification via contacting Y.S. TECH sales department. Visit Y.S. TECH web site at <http://www.ystechusa.com/> for updated information. Customized Specifications are designed accordingly.