



40x40x20mm

- Airflow: 5.7~12.0 CFM
- Static Pressure: 3.2~11.5 mm-H₂O
- Blade / Housing: Plastic Material UL 94V-0 P.B.T.
- Lead Wire: UL1007 #26 AWG
- Weight: 24 g

DC AXIAL FAN

DC BLOWER

XTRME SERIES

AC AXIAL FAN

Model No.	Bearing	Rated Voltage	Operating Voltage Range	Speed	Max. Airflow	Max. Static Pressure	Current	Power Consumption	Life at 40°C L10	P-Q Curve	Noise Level
		VDC	VDC	RPM	CFM	mm-H ₂ O	mA	W	Hour		dB(A)
HYW0402001 2LL	L	05	4~5.5	5000	5.7	3.2	250	1.25	50000	5	20.0
HYW0402001 2LM	L		4~5.5	6300	7.2	5.2	350	1.75	80000	4	25.5
HYW0402001 2LH	L		4~5.5	7600	9.0	6.4	530	2.65	75000	3	29.5
HYW0402001 2BL	2B	12	7~13.2	5000	5.7	3.2	70	0.84	80000	5	20.0
HYW0402001 2BM	2B		7~13.2	6300	7.2	5.2	100	1.20	80000	4	25.5
HYW0402001 2BH	2B		7~13.2	7600	9.0	6.4	140	1.68	75000	3	29.5
HYW0402001 2BS	2B	24	7~13.2	8900	10.5	9.2	170	2.04	65000	2	33.5
HYW0402001 2BU	2B		7~13.2	10000	12.0	11.5	210	2.52	65000	1	37.5
HYW0402002 4BL	2B		12~26.4	5000	5.7	3.2	40	0.96	80000	5	20.0
HYW0402002 4BM	2B	24	12~26.4	6300	7.2	5.2	50	1.20	80000	4	25.5
HYW0402002 4BH	2B		12~26.4	7600	9.0	6.4	70	1.68	75000	3	29.5
HYW0402002 4BS	2B		12~26.4	8900	10.5	9.2	100	2.40	65000	2	33.5
HYW0402002 4BU	2B	12~26.4	10000	12.0	11.5	130	3.12	65000	1	37.5	

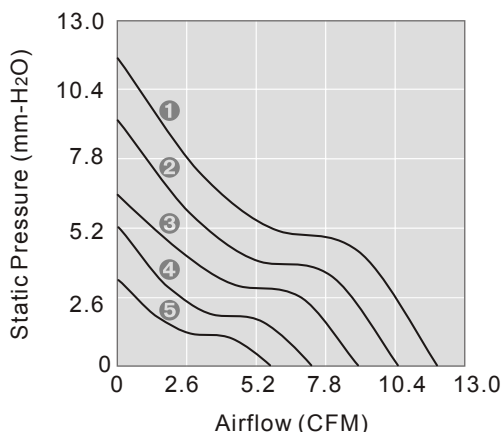
2B: 2-ball bearing L: sintetico bearing S: sleeve bearing

Voltage Available
05 12 24 48

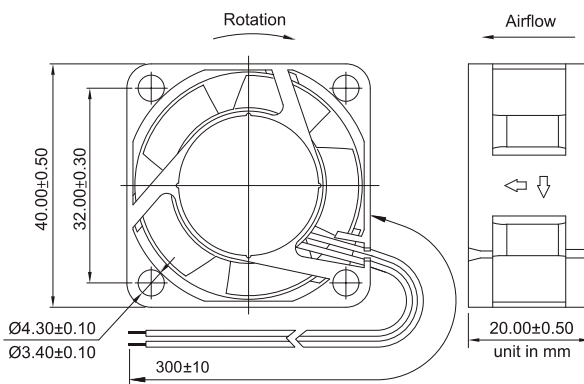
Bearing System Available
2BL S

Function Available
1 6 5 4 3 2 8 9 10 11 14 12 13

PERFORMANCE P-Q CURVE



OUTLINE DIMENSIONS



Please refer to *Model Numbering System* for bearing, function and speed level indication. Specifications are subject to changes without notice. Please refer to the formally issued product specification via contacting Y.S. TECH sales department. Visit Y.S. TECH web site at <http://www.ystechusa.com/> for updated information. Customized Specifications are designed accordingly.