



# 80x80x25mm

- **Airflow: 31.4~54.5 CFM**
- **Static Pressure: 2.0~5.9 mm-H<sub>2</sub>O**
- **Blade / Housing:**  
Plastic Material UL 94V-0 P.B.T.
- **Lead Wire: UL1007 #24 AWG**
- **Weight: 88 g**

Model No.	Bearing	Rated Voltage	Operating Voltage Range	Speed	Max. Airflow	Max. Static Pressure	Current	Power Consumption	Life at 40°C L10	P-Q Curve	Noise Level
		VDC	VDC	RPM	CFM	mm-H <sub>2</sub> O	mA	W	Hour		dB(A)
EYW08025012BL	2B	12	7~13.2	2000	31.4	2.0	100	1.20	80000	5	26.6
EYW08025012BM	2B	12	7~13.2	2300	36.2	2.6	130	1.56	80000	4	29.6
EYW08025012BH	2B	12	7~13.2	2700	42.3	3.5	190	2.28	75000	3	33.1
EYW08025012BS	2B	12	7~13.2	3100	48.4	4.6	280	3.36	65000	2	36.1
EYW08025012BSS	2B	12	7~13.2	3500	54.5	5.9	300	3.60	65000	1	38.7
EYW08025024BL	2B	24	12~26.4	2000	31.4	2.0	55	1.32	80000	5	26.6
EYW08025024BM	2B	24	12~26.4	2300	36.2	2.6	70	1.68	80000	4	29.6
EYW08025024BH	2B	24	12~26.4	2700	42.3	3.5	90	2.16	75000	3	33.1
EYW08025024BS	2B	24	12~26.4	3100	48.4	4.6	130	3.12	65000	2	36.1
EYW08025024BSS	2B	24	12~26.4	3500	54.5	5.9	140	3.36	65000	1	38.7
EYW08025048BL	2B	48	24~56.0	2000	31.4	2.0	40	1.92	80000	5	26.6
EYW08025048BM	2B	48	24~56.0	2300	36.2	2.6	50	2.40	80000	4	29.6
EYW08025048BH	2B	48	24~56.0	2700	42.3	3.5	70	3.36	75000	3	33.1
EYW08025048BS	2B	48	24~56.0	3100	48.4	4.6	90	4.32	65000	2	36.1
EYW08025048BSS	2B	48	24~56.0	3500	54.5	5.9	110	5.28	65000	1	38.7

2B: 2-ball bearing L: sintetico bearing S: sleeve bearing

Voltage Available

Bearing System Available

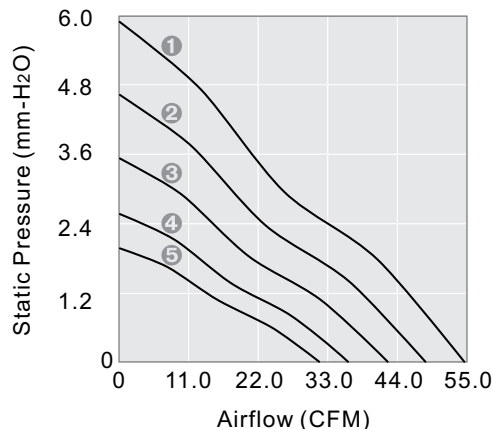
Function Available

05 12 24 48

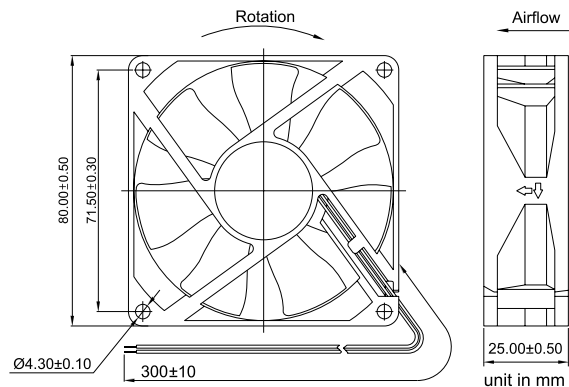
2B L S

1 6 5 4 3 2 7 8 9 10 11 14 12 13

### PERFORMANCE P-Q CURVE



### OUTLINE DIMENSIONS



Please refer to *Model Numbering System* for bearing, function and speed level indication. Specifications are subject to changes without notice. Please refer to the formally issued product specification via contacting Y.S. TECH sales department. Visit Y.S. TECH web site at <http://www.ystechusa.com/> for updated information. Customized Specifications are designed accordingly