



80x80x25mm

- **Airflow: 38.0~55.1 CFM**
- **Static Pressure: 3.9~6.6 mm-H₂O**
- **Blade: Plastic Material UL 94V-0 P.B.T.**
- **Frame: Die-Casting Aluminum**
- **Weight: 138 g**

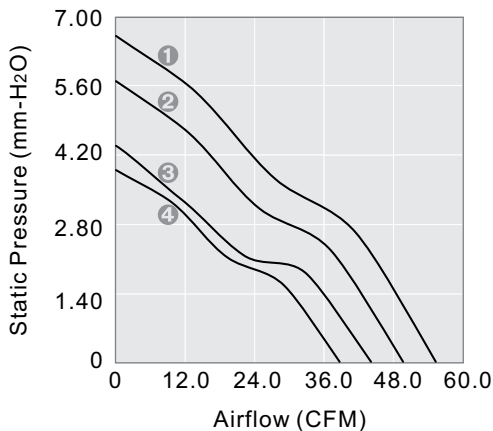
Model No.	Bearing	Rated Voltage	Freq	Speed	Max. Airflow	Max. Static Pressure	Current	Power Consumption	Life at 40°C L10	P-Q Curve	Noise Level
	VAC	Hz	RPM	CFM	mm-H ₂ O	A	W	Hour		dB(A)	
ADT08025115BL 2B	110	50/60	2800/3200	38.6/44.1	3.9/4.4	0.11/0.13	1.90/2.40	50000	4/3	34.0/38.5	
ADT08025115BM 2B	110	50/60	3200/3600	44.1/49.6	4.4/5.7	0.15/0.17	2.80/3.60	50000	3/2	38.5/42.0	
ADT08025115BH 2B	110	50/60	3600/4000	49.6/55.1	5.7/6.6	0.16/0.19	3.40/4.30	50000	2/1	42.0/45.5	
ADT08025220BL 2B	220	50/60	2800/3200	38.6/44.1	3.9/4.4	0.11/0.13	2.80/3.40	50000	4/3	34.0/38.5	
ADT08025220BM 2B	220	50/60	3200/3600	44.1/49.6	4.4/5.7	0.14/0.17	3.80/4.80	50000	3/2	38.5/42.0	
ADT08025220BH 2B	220	50/60	3600/4000	49.6/55.1	5.7/6.6	0.15/0.18	4.30/5.30	50000	2/1	42.0/45.5	

2B: 2-ball bearing S: sleeve bearing

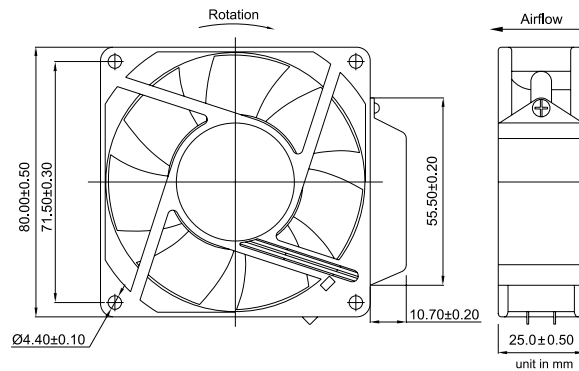
Voltage Available
110 220

Bearing System Available
2B S

PERFORMANCE P-Q CURVE



OUTLINE DIMENSIONS



Please refer to *Model Numbering System* for bearing, function and speed level indication. Specifications are subject to changes without notice. Please refer to the formally issued product specification via contacting Y.S. TECH sales department. Visit Y.S. TECH web site at <http://www.ystechusa.com/> for updated information. Customized Specifications are designed accordingly.

DC AXIAL FAN

DC BLOWER

XTREME SERIES

AC AXIAL FAN