



92x92x38mm

- Airflow: 80.5~117.3 CFM
- Static Pressure: 7.8~15.5 mm-H₂O
- Blade / Housing: Plastic Material UL 94V-0 P.B.T.
- Lead Wire: UL1007 #24 AWG
- Weight: 198.4 g

Model No.	Bearing	Rated Voltage	Operating Voltage Range	Speed	Max. Airflow	Max. Static Pressure	Current	Power Consumption	Life at 40°C L10	P-Q Curve	Noise Level
		VDC	VDC	RPM	CFM	mm-H ₂ O	mA	W	Hour		dB(A)
XYW09238012BL	2B	12	7~13.2	3300	80.5	7.8	450	5.40	8····	4	48.0
XYW09238012BM	2B		7~13.2	3800	92.6	10.9	640	7.68	8····	3	51.0
XYW09238012BH	2B		7~13.2	43··	102.9	11.9	950	11.40	75···	2	55.0
XYW09238012BS	2B		7~13.2	4900	117.3	15.5	1200	14.40	65···	1	57.0
XYW09238024BL	2B	24	12~26.4	3300	80.5	7.8	250	6.00	8····	4	48.0
XYW09238024BM	2B		12~26.4	3800	92.6	10.9	350	8.40	8····	3	51.0
XYW09238024BH	2B		12~26.4	43··	102.9	11.9	470	11.28	75···	2	55.0
XYW09238024BS	2B		12~26.4	4900	117.3	15.5	600	14.40	65···	1	57.0
XYW09238048BL	2B	48	24~56.0	3300	80.5	7.8	130	6.24	8····	4	48.0
XYW09238048BM	2B		24~56.0	3800	92.6	10.9	170	8.16	8····	3	51.0
XYW09238048BH	2B		24~56.0	43··	102.9	11.9	240	11.52	75···	2	55.0
XYW09238048BS	2B		24~56.0	4900	117.3	15.5	290	13.92	65···	1	57.0

2B: 2-ball bearing D: 1-ball 1-sleeve bearing L: sintetico bearing S: sleeve bearing

Voltage Available

05 12 24 48

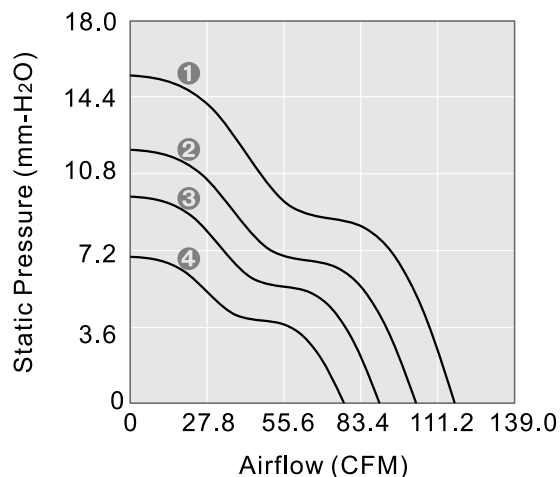
Bearing System Available

2B L S

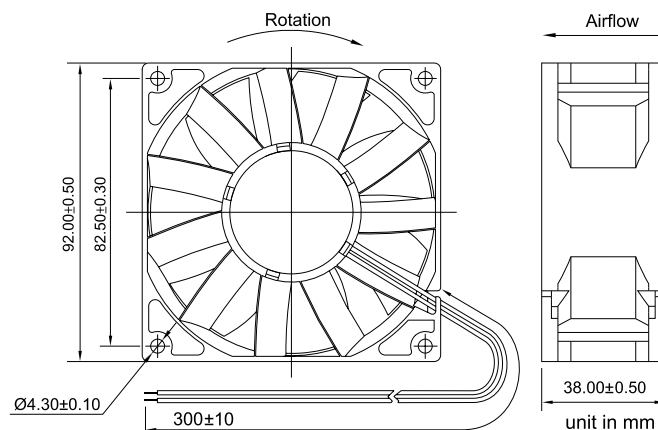
Function Available

- 1 6 5 4 3 2 7 8 9 10 11 14 12 13

PERFORMANCE P-Q CURVE



OUTLINE DIMENSIONS



DC AXIAL FAN

DC BLOWER

XTREME SERIES

AC AXIAL FAN