



## 60x60x15mm

- Airflow: 17.1~31.3 CFM
- Static Pressure: 2.0~5.3 mm-H<sub>2</sub>O
- Blade / Housing: Plastic Material UL 94V-0 P.B.T.
- Lead Wire: UL1007 #26 AWG
- Weight: 26.0 g

Model No.	Bearing	Rated Voltage	Operating Voltage Range	Speed	Max. Airflow	Max. Static Pressure	Current	Power Consumption	Life at 40°C L10	P-Q Curve	Noise Level
		VDC	VDC	RPM	CFM	mm-H <sub>2</sub> O	mA	W	Hour		dB(A)
NYW06015005SH	S	05	4~5.5	4700	23.9	4.5	320	1.60	25000	3	38.0
NYW06015012BL	2B	12	7~13.2	3200	15.2	2.0	100	1.20	80000	5	25.0
NYW06015012BM	2B		7~13.2	4000	20.3	3.9	160	1.92	80000	4	34.0
NYW06015012BH	2B		7~13.2	4700	23.9	4.5	220	2.64	75000	3	38.0
NYW06015012BS	2B		7~13.2	5200	26.4	5.0	270	3.24	65000	2	40.0
NYW06015012BSS	2B		7~13.2	6000	30.4	6.9	400	4.80	65000	1	43.0
NYW06015012SL	S		7~13.2	3000	15.1	1.8	75	0.90	30000	5	24.0
NYW06015024BL	2B	24	12~26.4	3200	15.2	2.0	70	1.68	80000	5	25.0
NYW06015024BM	2B		12~26.4	4000	20.3	3.9	110	2.64	80000	4	34.0
NYW06015024BH	2B		12~26.4	4700	23.9	4.5	145	3.48	75000	3	38.0
NYW06015024BS	2B		12~26.4	5200	26.4	5.0	180	4.32	65000	2	40.0
NYW06015024SL	S			12~26.4	3000	15.1	1.8	90	2.16	30000	5
NYW06015024SM	S		12~26.4	3800	19.3	3.5	110	2.64	30000	4	32.8
NYW06015024SH	S		12~26.4	4500	23.6	3.9	120	2.88	25000	3	34.8

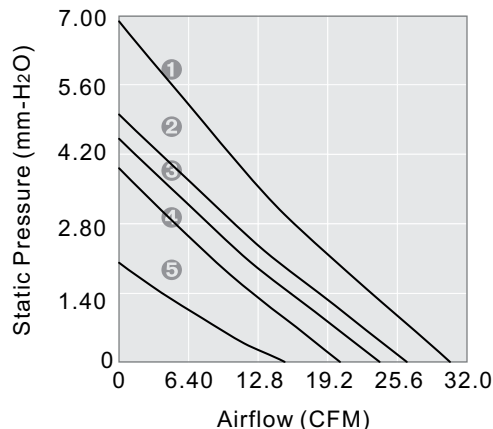
2B: 2-ball bearing L: sintetico bearing S: sleeve bearing

Voltage Available  
05 12 24 48

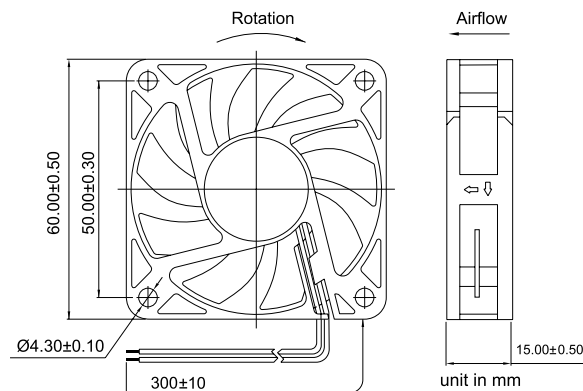
Bearing System Available  
2B L S

Function Available  
1 6 5 4 3 2 7 8 V 10 11 14 12 13

### PERFORMANCE P-Q CURVE



### OUTLINE DIMENSIONS



Please refer to *Model Numbering System* for bearing, function and speed level indication. Specifications are subject to changes without notice. Please refer to the formally issued product specification via contacting Y.S. TECH sales department. Visit Y.S. TECH web site at <http://www.ystechusa.com/> for updated information. Customized Specifications are designed accordingly