



# 60x60x20mm

- **Airflow:** 17.1~29.1 CFM
- **Static Pressure:** 2.4~7.0 mm-H<sub>2</sub>O
- **Blade / Housing:** Plastic Material UL 94V-0 P.B.T.
- **Lead Wire:** UL1007 #26 AWG
- **Weight:** 44.0 g

DC AXIAL FAN

DC BLOWER

Model No.	Bearing	Rated Voltage VDC	Operating Voltage Range VDC	Speed RPM	Max. Airflow CFM	Max. Static Pressure mm-H <sub>2</sub> O	Current mA	Power Consumption W	Life at 40°C L10 Hour	P-Q Curve	Noise Level dB(A)	
YW06020012BL	2B	12	7~13.2	3000	17.0	2.4	80	0.96	80000	4	26.0	
YW06020012BM	2B		7~13.2	3600	20.0	3.4	110	1.32	80000	3	30.0	
YW06020012BH	2B		7~13.2	4200	22.9	4.4	160	1.92	75000	2	35.0	
YW06020012BS	2B		7~13.2	5300	29.1	7.0	280	3.36	65000	1	41.0	
YW06020012SL	S		7~13.2	2800	15.2	2.0	80	0.96	30000	4	25.0	
YW06020012SM	S		7~13.2	3400	18.0	2.7	110	1.32	30000	3	28.0	
YW06020012SH	S		7~13.2	4000	21.8	4.0	160	1.92	25000	2	35.0	
YW06020012SS	S		7~13.2	5300	29.2	7.0	250	3.00	25000	1	41.0	
YW06020024BL	2B		24	12~26.4	3000	17.0	2.4	40	0.96	80000	4	26.0
YW06020024BM	2B			12~26.4	3600	20.0	3.4	70	1.68	80000	3	30.0
YW06020024BH	2B			12~26.4	4200	22.9	4.4	80	1.92	75000	2	35.0
YW06020024SM	S			12~26.4	3400	18.0	2.7	70	1.68	30000	3	28.0
YW06020024SH	S	12~26.4		4000	21.8	4.0	80	1.92	25000	2	35.0	

2B: 2-ball bearing L: sintetico bearing S: sleeve bearing

Voltage Available

05 12 24 48

Bearing System Available

2B L S

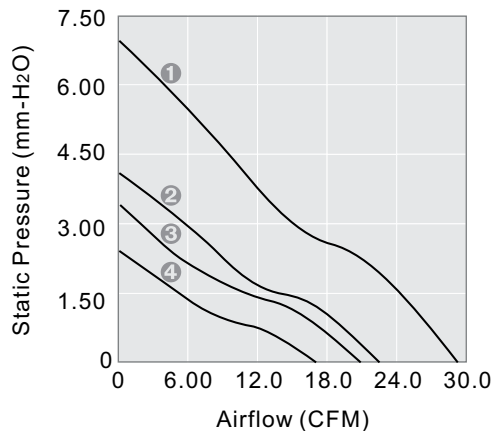
Function Available

1 6 5 4 3 2 7 8 9 10 11 14 12 13

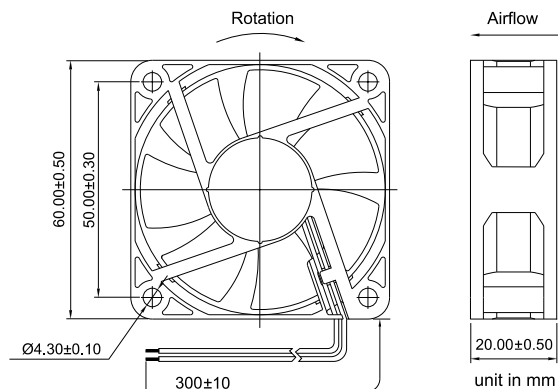
XTREME SERIES

AC AXIAL FAN

### PERFORMANCE P-Q CURVE



### OUTLINE DIMENSIONS



Please refer to *Model Numbering System* for bearing, function and speed level indication. Specifications are subject to changes without notice. Please refer to the formally issued product specification via contacting Y.S. TECH sales department. Visit Y.S. TECH web site at <http://www.ystechusa.com/> for updated information. Customized Specifications are designed accordingly.