



60x60x38mm

- Airflow: 26.7~45.5 CFM
- Static Pressure: 8.1~22.9 mm-H₂O
- Blade / Housing: Plastic Material UL 94V-0 P.B.T.
- Lead Wire: UL1007 #24 AWG
- Weight: 115.6 g

Model No.	Bearing	Rated Voltage	Operating Voltage Range	Speed	Max. Airflow	Max. Static Pressure	Current	Power Consumption	Life at 40°C L10	P-Q Curve	Noise Level
		VDC	VDC	RPM	CFM	mm-H ₂ O	mA	W	Hour		dB(A)
XYW06038012BL	2B	12	7~13.2	4500	26.7	8.1	190	2.28	80000	4	41.0
XYW06038012BM	2B		7~13.2	5500	32.6	12.2	260	3.12	80000	3	47.0
XYW06038012BH	2B		7~13.2	6500	38.5	16.5	450	5.40	75000	2	51.0
XYW06038012BSS	2B		7~13.2	7500	45.5	22.9	720	8.64	65000	1	55.0
XYW06038024BL	2B	24	12~26.4	4500	26.7	8.1	110	2.64	80000	4	41.0
XYW06038024BM	2B		12~26.4	5500	32.6	12.2	170	4.08	80000	3	47.0
XYW06038024BH	2B		12~26.4	6500	38.5	16.5	250	6.00	75000	2	51.0
XYW06038024BSS	2B		12~26.4	7500	45.5	22.9	360	8.64	65000	1	55.0
XYW06038048BL	2B	48	24~56.0	4500	26.7	8.1	70	3.36	80000	4	41.0
XYW06038048BM	2B		24~56.0	5500	32.6	12.2	90	4.32	80000	3	47.0
XYW06038048BH	2B		24~56.0	6500	38.5	16.5	130	6.24	75000	2	51.0
XYW06038048BSS	2B		24~56.0	7500	45.5	22.9	190	9.12	65000	1	55.0

2B: 2-ball bearing L: sintetico bearing S: sleeve bearing

Voltage Available

05 12 24 48

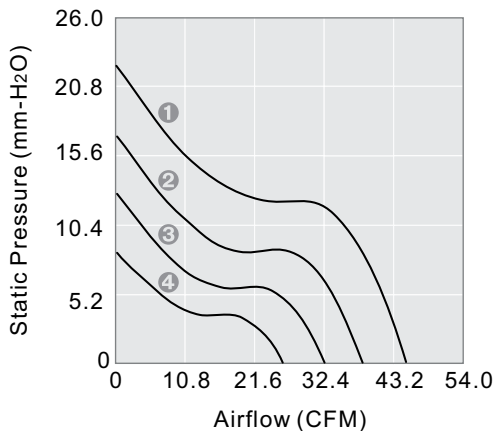
Bearing System Available

2B L S

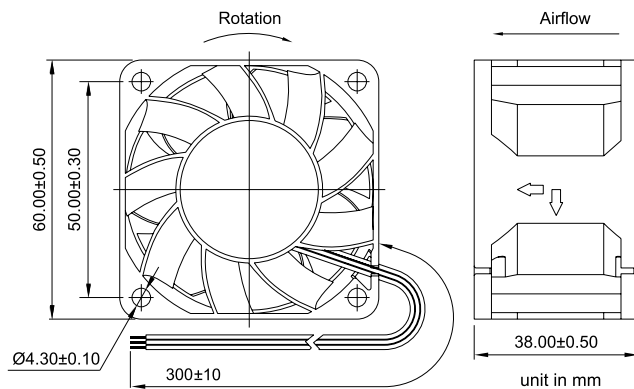
Function Available

1 6 5 4 3 2 7 8 9 10 11 14 12 13

PERFORMANCE P-Q CURVE



OUTLINE DIMENSIONS



Please refer to *Model Numbering System* for bearing, function and speed level indication. Specifications are subject to changes without notice. Please refer to the formally issued product specification via contacting Y.S. TECH sales department. Visit Y.S. TECH web site at <http://www.ystechusa.com/> for updated information. Customized Specifications are designed accordingly.