



60x60x25mm

- Airflow: 14.4~50.2 CFM
- Static Pressure: 5.0~27.6 mm-H₂O
- Blade / Housing: Plastic Material UL 94V-0 P.B.T.
- Lead Wire: UL1007 #24 AWG
- Weight: 56 g

Model No.	Bearing	Rated Voltage VDC	Operating Voltage Range VDC	Speed RPM	Max. Airflow CFM	Max. Static Pressure mm-H ₂ O	Current mA	Power Consumption W	Life at 40°C L10 Hour	P-Q Curve	Noise Level dB(A)	
NYW06025012BL-W	2B	12	7~13.2	3000	14.4	5.0	50	0.60	80000	9	25.0	
NYW06025012BM-W	2B		7~13.2	4100	19.7	7.5	80	0.96	80000	8	31.0	
NYW06025012BH-W	2B		7~13.2	5100	24.5	9.3	120	1.44	75000	7	36.0	
NYW06025012BS-W	2B		7~13.2	5600	26.9	10.2	150	1.80	65000	6	38.1	
NYW06025012BSS-W	2B		7~13.2	6500	31.2	11.8	190	2.28	65000	5	41.0	
NYW06025012BF-W	2B		7~13.2	7500	35.9	13.2	300	3.60	65000	4	47.0	
NYW06025012BG-W	2B		7~13.2	8500	40.6	17.4	420	5.04	65000	3	49.5	
NYW06025012BJ-W	2B		7~13.2	9500	45.4	22.2	630	7.56	65000	2	51.5	
NYW06025012BU-W	2B		7~13.2	10500	50.2	27.6	900	10.80	65000	1	25.0	
NYW06025024BL-W	2B		24	12~26.4	3000	14.4	5.0	35	0.84	80000	9	31.0
NYW06025024BM-W	2B			12~26.4	4100	19.7	7.5	55	1.32	80000	8	36.0
NYW06025024BH-W	2B			12~26.4	5100	24.5	9.3	75	1.80	75000	7	41.0
NYW06025024BSS-W	2B	12~26.4		6500	31.2	11.8	110	2.64	65000	5	51.5	
NYW06025024BU-W	2B	12~26.4		10500	50.2	27.6	410	9.84	65000	1	25.0	
NYW06025048BL-W	2B	48		24~56.0	3000	14.4	5.0	30	1.44	65000	9	31.0
NYW06025048BM-W	2B		24~56.0	4100	19.7	7.5	40	1.92	80000	8	36.0	
NYW06025048BH-W	2B		24~56.0	5100	24.5	9.3	55	2.64	80000	7	42.0	
NYW06025048BSS-W	2B		24~56.0	6800	32.7	12.4	80	3.84	65000	5	42.0	
NYW06025048BU-W	2B		24~56.0	10500	50.2	27.6	240	11.52	65000	1	51.5	

2B: 2-ball bearing L: sintetico bearing S: sleeve bearing

Voltage Available

Bearing System Available

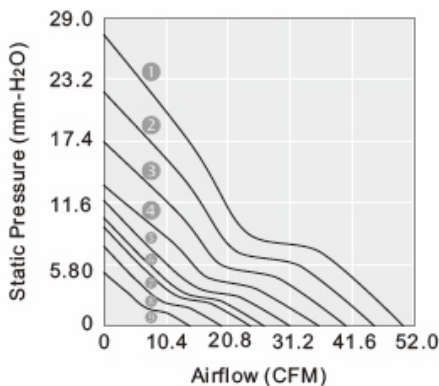
Function Available

05 12 24 48

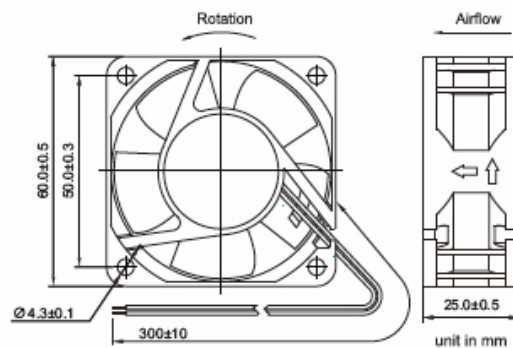
2B L S

1 6 5 4 3 2 7 8 9 10 11 14 12 13

PERFORMANCE P-Q CURVE



OUTLINE DIMENSIONS



Please refer to *Model Numbering System* for bearing, function and speed level indication. Specifications are subject to changes without notice. Please refer to the formally issued product specification via contacting Y.S. TECH sales department. Visit Y.S. TECH web site at <http://www.ystechusa.com/> for updated information. Customized Specifications are designed accordingly.