



120x120x38mm

- **Airflow: 89.5~135.0 CFM**
- **Static Pressure: 3.9~8.6 mm-H₂O**
- **Blade / Housing: Plastic Material UL 94V-0 P.B.T.**
- **Lead Wire: UL1007 #22 AWG**
- **Weight: 220 g**

Model No.	Bearing	Rated Voltage	Operating Voltage Range	Speed	Max. Airflow	Max. Static Pressure	Current	Power Consumption	Life at 40°C L10	P-Q Curve	Noise Level
		VDC	VDC	RPM	CFM	mm-H ₂ O	mA	W	Hour		dB(A)
YW12038012BL	2B	12	7~13.2	2000	89.5	3.9	320	3.84	80000	4	36.0
YW12038012BM	2B		7~13.2	2400	107.0	5.8	400	4.80	80000	3	41.0
YW12038012BH	2B		7~13.2	2800	125.5	7.6	660	7.92	75000	2	45.0
YW12038012BS	2B		7~13.2	3000	135.0	8.6	830	9.96	65000	1	47.0
YW12038024BL	2B	24	12~26.4	2000	89.5	3.9	150	3.60	80000	4	36.0
YW12038024BM	2B		12~26.4	2400	107.0	5.8	250	6.00	80000	3	41.0
YW12038024BH	2B		12~26.4	2800	125.5	7.6	310	7.44	75000	2	45.0
YW12038024BS	2B		12~26.4	3000	135.0	8.6	410	9.84	65000	1	47.0
YW12038048BL	2B	48	24~56.0	2000	89.5	3.9	120	5.76	80000	4	36.0
YW12038048BM	2B		24~56.0	2400	107.0	5.8	140	6.72	80000	3	41.0
YW12038048BH	2B		24~56.0	2800	125.5	7.6	180	8.64	75000	2	45.0
YW12038048BS	2B		24~56.0	3000	135.0	8.6	210	10.08	65000	1	47.0

2B: 2-ball bearing L: sintetico bearing S: sleeve bearing

Voltage Available

05 12 24 48

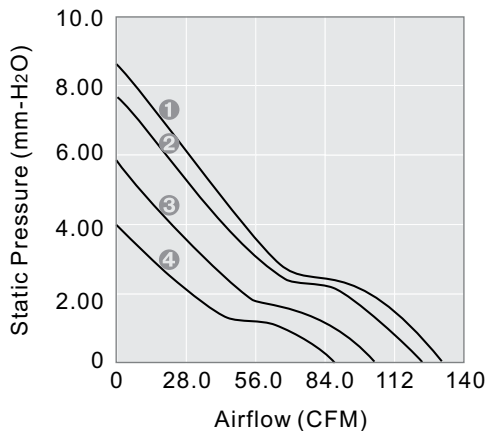
Bearing System Available

2B L S

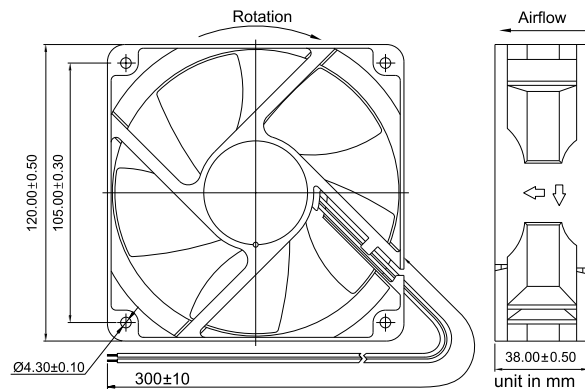
Function Available

1 6 5 4 3 2 7 8 9 10 11 14 12 13

PERFORMANCE P-Q CURVE



OUTLINE DIMENSIONS



Please refer to *Model Numbering System* for bearing, function and speed level indication. Specifications are subject to changes without notice. Please refer to the formally issued product specification via contacting Y.S. TECH sales department. Visit Y.S. TECH web site at <http://www.ystechusa.com/> for updated information. Customized Specifications are designed accordingly.