



40x40x28mm

- Airflow: 23.61~33.68 CFM
- Static Pressure: 44.66~62.52 mm-H₂O
- Blade / Housing: Plastic Material UL 94V-0 P.B.T.
- Lead Wire: UL1061 #28 AWG
- Weight: 48.1 g

Model No.	Bearing	Rated Voltage	Operating Voltage Range	Speed	Max. Airflow	Max. Static Pressure	Current	Power Consumption	Life at 40°C L10	P-Q Curve	Noise Level
		VDC	VDC	RPM	CFM	mm-H ₂ O	mA	W	Hour		dB(A)
XYW04028012BM-E	2B	12	7~13.2	17000	23.61	44.66	600	7.20	80000	4	52.5
XYW04028012BH-E	2B		7~13.2	19000	26.26	50.78	900	10.80	75000	3	56.0
XYW04028012BS-E	2B		7~13.2	21000	29.57	56.02	1200	14.40	65000	2	58.0
XYW04028012BSS-E	2B		7~13.2	23500	33.68	62.52	1800	21.60	65000	1	61.0

2B: 2-ball bearing L: sintetico bearing S: sleeve bearing

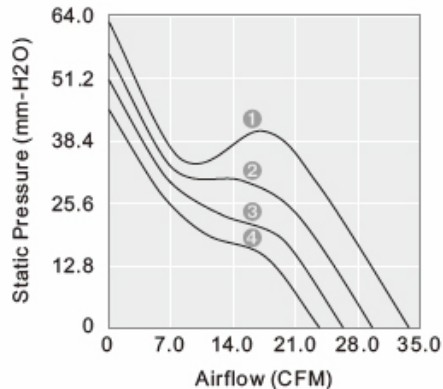
Voltage Available
05 12 24 48

Bearing System Available
2B L S

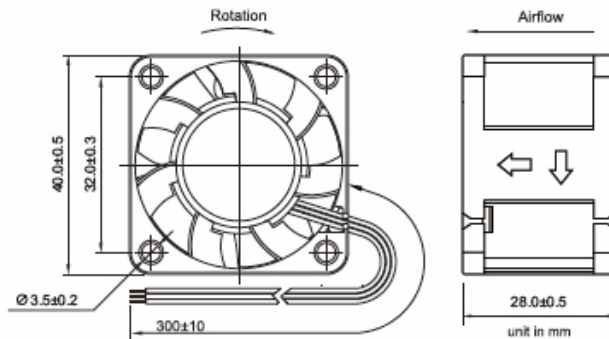
Function Available

1 6 5 4 3 2 7 8 9 10 11 12 13 14

PERFORMANCE P-Q CURVE



OUTLINE DIMENSIONS



Please refer to *Model Numbering System* for bearing, function and speed level indication. Specifications are subject to changes without notice. Please refer to the formally issued product specification via contacting Y.S. TECH sales department. Visit Y.S. TECH web site at <http://www.ystechusa.com/> for updated information. Customized Specifications are designed accordingly