



40x40x28mm

- Airflow: 10.3~25.9 CFM
- Static Pressure: 7.9~39.0 mm-H₂O
- Blade / Housing: Plastic Material UL 94V-0 P.B.T.
- Lead Wire: UL1007 #28 AWG
- Weight: 45.1 g

DC AXIAL FAN

DC BLOWER

Model No.	Bearing	Rated Voltage	Operating Voltage Range	Speed	Max. Airflow	Max. Static Pressure	Current	Power Consumption	Life at 40°C L10	P-Q Curve	Noise Level	
		VDC	VDC	RPM	CFM	mm-H ₂ O	mA	W	Hour		dB(A)	
XYW040280005BH	2B	05	4~5.5	8000	14.4	14.6	480	2.04	75000	5	37.5	
XYW04028012BL	2B	12	7~13.2	5000	10.3	7.9	90	1.08	80000	7	24.5	
XYW04028012BM	2B		7~13.2	7000	13.0	12.0	150	1.80	80000	6	34.5	
XYW04028012BH	2B		7~13.2	8000	14.4	14.6	180	2.16	75000	5	37.5	
XYW04028012BS	2B		7~13.2	9500	16.5	18.9	260	3.12	65000	4	41.0	
XYW04028012BSE	2B		7~13.2	11000	19.0	26.2	460	5.52	65000	3	47.0	
XYW04028012BSS	2B		7~13.2	13000	21.4	31.9	550	6.60	65000	2	49.5	
XYW04028012BU	2B		7~13.2	16000	25.9	39.0	750	9.00	65000	1	51.5	
XYW04028024BL	2B		24	12~26.4	5000	10.3	7.9	80	1.92	80000	7	24.5
XYW04028024BM	2B			12~26.4	7000	13.0	12.0	90	2.04	80000	6	34.5
XYW04028024BH	2B			12~26.4	8000	14.4	14.6	160	3.84	75000	5	37.5
XYW04028024BS	2B			12~26.4	9500	16.5	18.9	200	4.80	65000	4	41.0
XYW04028024BSE	2B			12~26.4	11000	19.0	26.2	280	6.72	65000	3	47.0
XYW04028024BSS	2B	12~26.4		13000	21.4	31.9	430	10.32	65000	2	49.5	

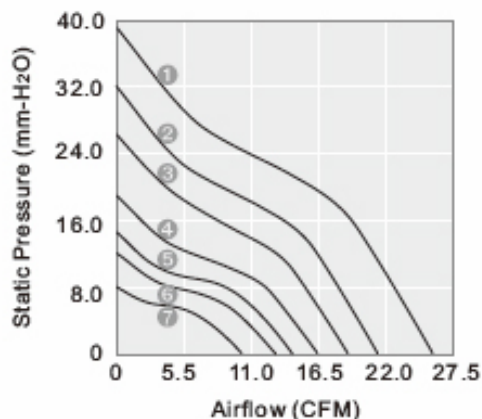
2B: 2-ball bearing L: sintetico bearing S: sleeve bearing

Voltage Available
05 12 24 48

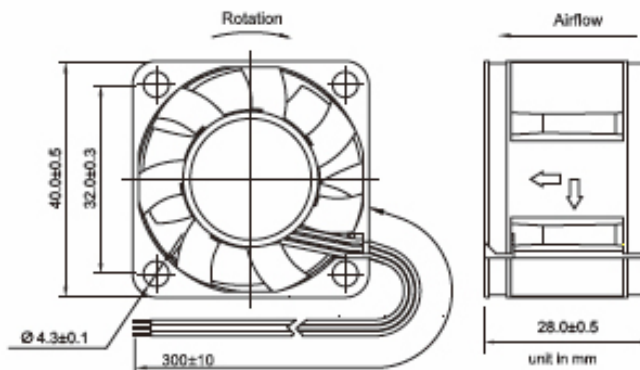
Bearing System Available
2B L S

Function Available
1 6 5 4 3 2 7 8 V 10 11 14 12 13

PERFORMANCE P-Q CURVE



OUTLINE DIMENSIONS



Please refer to Model Numbering System for bearing, function and speed level indication. Specifications are subject to changes without notice. Please refer to the formally issued product specification via contacting Y.S. TECH sales department. Visit Y.S. TECH web site at <http://www.ystechusa.com/> for updated information. Customized Specifications are designed accordingly.

XTREME SERIES

AC AXIAL FAN