



45x45x10mm

- **Airflow:** 8.0~10.3 CFM
- **Static Pressure:** 2.5~4.8 mm-H₂O
- **Blade / Housing:** Plastic Material UL 94V-0 P.B.T.
- **Lead Wire:** UL1007 #26 AWG
- **Weight:** 17 g

DC AXIAL FAN

DC BLOWER

Model No.	Bearing	Rated Voltage	Operating Voltage Range	Speed	Max. Airflow	Max. Static Pressure	Current	Power Consumption	Life at 40°C L10	P-Q Curve	Noise Level	
		VDC	VDC	RPM	CFM	mm-H ₂ O	mA	W	Hour		dB(A)	
YW04510005SL	S	05	4~5.5	4900	7.6	2.5	150	0.75	30000	3	28.5	
YW04510005SM	S		4~5.5	5300	8.5	3.0	170	0.85	30000	2	30.5	
YW04510005SH	S		4~5.5	6300	10.0	4.0	240	1.20	25000	1	35.5	
YW04510005BL	2B		4~5.5	5100	8.49	3.1	150	0.75	80000	3	29.0	
YW04510005BM	2B		4~5.5	5500	8.7	3.4	170	0.85	80000	2	31.5	
YW04510005BH	2B	4~5.5	6500	10.3	4.8	240	1.20	75000	1	37.0		
YW04510012SL	S	12	7~13.2	4900	7.6	2.5	90	1.08	30000	3	28.5	
YW04510012SM	S		7~13.2	5300	8.5	3.0	120	1.44	30000	2	30.5	
YW04510012SH	S		7~13.2	6300	10.0	4.0	140	1.68	25000	1	35.5	
YW04510012BL	2B		7~13.2	5100	8.49	3.1	90	1.08	80000	3	29.0	
YW04510012BM	2B		7~13.2	5500	8.7	3.4	120	1.44	80000	2	31.5	
YW04510012BH	2B		7~13.2	6500	10.3	4.8	140	1.68	75000	1	37.0	

2B: 2-ball bearing L: sintetico bearing S: sleeve bearing

Voltage Available
05 12 24 48

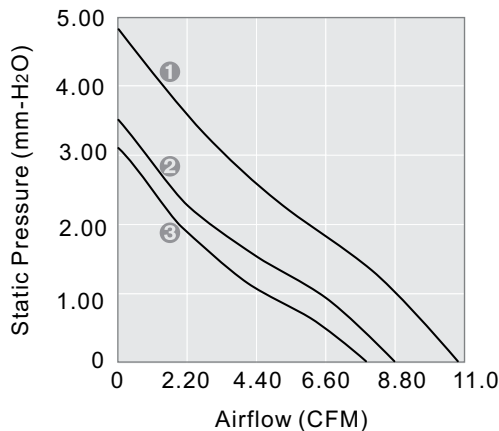
Bearing System Available
2B L S

Function Available
1 6 5 4 3 2 7 8 9 10 11 14 12 13

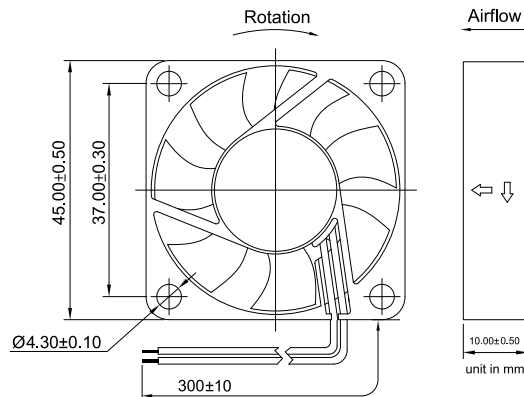
XTREME SERIES

AC AXIAL FAN

PERFORMANCE P-Q CURVE



OUTLINE DIMENSIONS



Please refer to *Model Numbering System* for bearing, function and speed level indication. Specifications are subject to changes without notice. Please refer to the formally issued product specification via contacting Y.S. TECH sales department. Visit Y.S. TECH web site at <http://www.ystechusa.com/> for updated information. Customized Specifications are designed accordingly.