



50x50x10mm

- Airflow: 8.3~12.9 CFM
- Static Pressure: 1.0~3.0 mm-H₂O
- Blade / Housing: Plastic Material UL 94V-0 P.B.T.
- Lead Wire: UL1007 #26 AWG
- Weight: 18 g

DC AXIAL FAN

DC BLOWER

Model No.	Bearing	Rated Voltage	Operating Voltage Range	Speed	Max. Airflow	Max. Static Pressure	Current	Power Consumption	Life at 40°C L10	P-Q Curve	Noise Level
		VDC	VDC	RPM	CFM	mm-H ₂ O	mA	W	Hour		dB(A)
NYW05010005LL	L	05	7~13.2	3500	8.3	1.0	85	0.43	50000	3	21.8
NYW05010005LM	L		7~13.2	4500	10.9	2.0	140	0.70	50000	2	27.3
NYW05010005LH	L		7~13.2	5500	13.5	3.2	240	1.20	50000	1	31.7
NYW05010012SL	S		7~13.2	3500	8.3	1.0	60	0.72	30000	3	21.8
NYW05010012SM	S		7~13.2	4500	10.9	2.0	90	1.08	30000	2	27.3
NYW05010012SH	S	7~13.2	5500	13.5	3.2	125	1.50	25000	1	31.7	
NYW05010012BL	2B	12	7~13.2	3500	8.3	1.0	60	0.72	80000	3	21.8
NYW05010012BM	2B		7~13.2	4500	10.9	2.0	100	1.08	80000	2	27.3
NYW05010012BH	2B		7~13.2	5500	13.5	3.2	180	1.50	75000	1	31.7
NYW05010012LL	L		7~13.2	3500	8.3	1.0	60	0.72	50000	3	21.8
NYW05010012LM	L		7~13.2	4500	10.9	2.0	90	1.08	50000	2	27.3
NYW05010012LH	L	7~13.2	5500	13.5	3.2	125	1.50	50000	1	31.7	

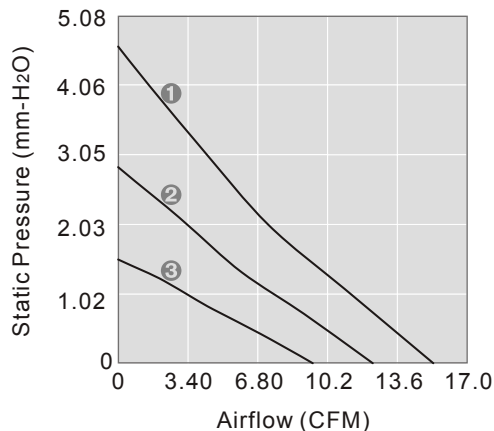
2B: 2-ball bearing L: sintetico bearing S: sleeve bearing

Voltage Available
05 12 24 48

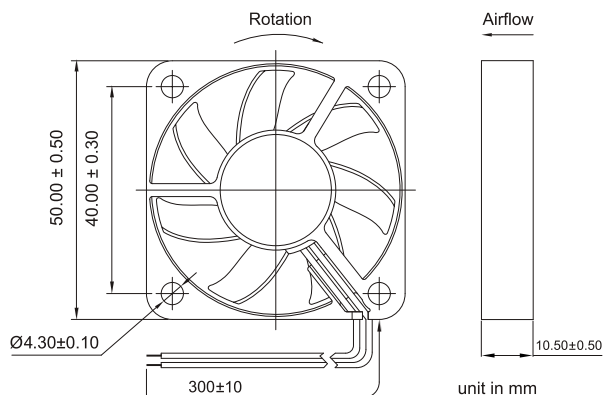
Bearing System Available
2B L S

Function Available
1 6 5 4 3 2 7 8 9 10 11 14 12 13

PERFORMANCE P-Q CURVE



OUTLINE DIMENSIONS



Please refer to *Model Numbering System* for bearing, function and speed level indication. Specifications are subject to changes without notice. Please refer to the formally issued product specification via contacting Y.S. TECH sales department. Visit Y.S. TECH web site at <http://www.ystechusa.com/> for updated information. Customized Specifications are designed accordingly

AC AXIAL FAN XTREME SERIES