



60x60x15mm

- Airflow: 14.1~27.0 CFM
- Static Pressure: 2.0~6.5 mm-H₂O
- Blade / Housing: Plastic Material UL 94V-0 P.B.T.
- Lead Wire: UL1007 #26 AWG
- Weight: 33.5 g

Model No.	Bearing	Rated Voltage	Operating Voltage Range	Speed	Max. Airflow	Max. Static Pressure	Current	Power Consumption	Life at 40°C L10	P-Q Curve	Noise Level	
		VDC	VDC	RPM	CFM	mm-H ₂ O	mA	W	Hour		dB(A)	
EYW06015005LL	L	05	4~5.5	3300	14.1	2.0	130	0.65	50000	5	22.0	
EYW06015005LM	L		4~5.5	4100	18.0	3.0	200	1.00	50000	4	28.4	
EYW06015005LH	L		4~5.5	4800	20.9	3.9	360	1.80	50000	3	33.0	
EYW06015012BL	2B	12	7~13.2	3300	14.1	2.0	55	0.66	80000	5	22.0	
EYW06015012BM	2B		7~13.2	4100	18.0	3.0	100	1.20	80000	4	28.4	
EYW06015012BH	2B		7~13.2	4800	20.9	3.9	130	1.56	75000	3	33.0	
EYW06015012BS	2B	12	7~13.2	5300	23.5	5.0	150	1.80	65000	2	35.0	
EYW06015012BSS	2B		7~13.2	6100	27.0	6.5	230	2.76	65000	1	38.0	
EW06015012LL	L		7~13.2	3300	14.1	2.0	70	0.84	50000	5	22.0	
EYW06015012LM	L	12	7~13.2	4100	18.0	3.0	100	1.20	50000	4	28.4	
EYW06015012LH	L		7~13.2	4800	20.9	3.9	130	1.56	50000	3	33.0	
EYW06015012LS	L		7~13.2	5300	23.5	5.0	150	1.80	50000	2	35.0	
EYW06015012LSS	L	12	7~13.2	6100	27.0	6.5	260	3.12	50000	1	38.0	
EYW06015024BL	2B		24	12~26.4	3300	14.1	2.0	25	0.60	80000	5	22.0
EYW06015024BM	2B			12~26.4	4100	18.0	3.0	40	0.96	80000	4	28.4
EYW06015024BH	2B	12~26.4		4800	20.9	3.9	55	1.32	75000	3	33.0	
EYW06015024BS	2B	24	12~26.4	5300	23.5	5.0	70	1.68	65000	2	35.0	
EYW06015024LL	L		12~26.4	3300	14.1	2.0	25	0.60	50000	5	22.0	
EYW06015024LM	L		12~26.4	4100	18.0	3.0	40	0.96	50000	4	28.4	
EYW06015024LH	L	24	12~26.4	4800	20.9	3.9	55	1.32	50000	3	33.0	
EYW06015024LS	L		12~26.4	5300	23.5	5.0	70	1.68	50000	2	35.0	

2B: 2-ball bearing L: sintetico bearing S: sleeve bearing

Voltage Available

Bearing System Available

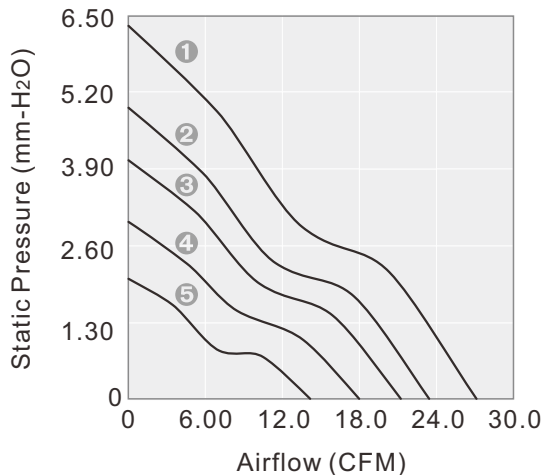
05 12 24 48

2B L S

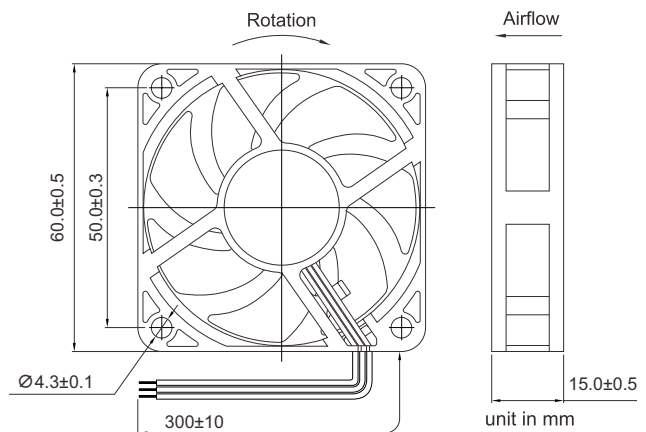
Function Available

N A I F R Q S T M V C P D W U

PERFORMANCE P-Q CURVE



OUTLINE DIMENSIONS



Please refer to Model Numbering System for bearing, function and speed level indication.

Specifications are subject to changes without notice. Please refer to the formally issued product specification via contacting Y.S. TECH sales department. Visit Y.S. TECH web site at <http://www.ystechUSA.com> for updated information. Customized Specifications are designed accordingly