



80x80x38mm

- **Airflow:** 55.2~135.0 CFM
- **Static Pressure:** 23.3~145.0 mm-H₂O
- **Blade / Housing:** Plastic Material UL 94V-0 P.B.T.
- **Lead Wire:** UL1061 #22 AWG
- **Weight:** 220.0 g

Model No.	Bearing	Rated Voltage	Operating Voltage Range	Speed	Max. Airflow	Max. Static Pressure	Current	Power Consumption	Life at 40°C L10	P-Q Curve	Noise Level
		VDC	VDC	RPM	CFM	mm-H ₂ O	mA	W	Hour		dB(A)
EYW08038012BL	2B	12	7~14.0	7000	55.2	23.3	550	6.60	80000	5	50.0
EYW08038012BM	2B		7~14.0	9000	70.9	39.6	950	11.40	80000	4	56.0
EYW08038012BH	2B		7~14.0	11000	87.1	63.0	1550	18.60	75000	3	60.8
EYW08038012BSS	2B		7~14.0	14000	111.6	102.1	2900	34.80	65000	2	67.5
EYW08038012BE	2B		7~14.0	17000	135.0	145.0	4800	57.60	65000	1	69.5
EYW08038024BL	2B	24	10~28.0	7000	55.2	23.3	300	7.20	80000	5	50.0
EYW08038024BM	2B		10~28.0	9000	70.9	39.6	450	10.80	80000	4	56.0
EYW08038024BH	2B		10~28.0	11000	87.1	63.0	730	16.80	75000	3	60.8
EYW08038024BSS	2B		10~28.0	14000	111.6	102.1	1300	31.20	65000	2	67.5
EYW08038024BE	2B		10~30.0	17000	135.0	145.0	2300	55.20	65000	1	69.5
EYW08038048BL	2B	48	24~75.0	7000	55.2	23.3	200	9.60	80000	5	50.0
EYW08038048BM	2B		24~75.0	9000	70.9	39.6	270	12.96	80000	4	56.0
EYW08038048BH	2B		24~75.0	11000	87.1	63.0	360	17.28	75000	3	60.8
EYW08038048BSS	2B		24~75.0	14000	111.6	102.1	700	33.60	65000	2	67.5
EYW08038048BE	2B		24~75.0	17000	135.0	145.0	1200	57.60	65000	1	69.5

2B: 2-ball bearing L: sintetico bearing S: sleeve bearing

Voltage Available

05 12 24 48

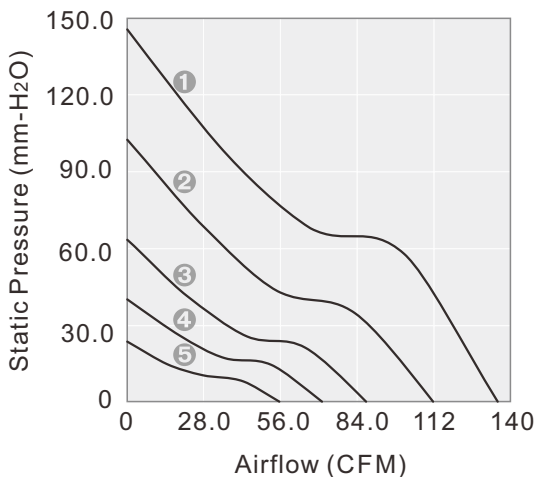
Bearing System Available

2B L S

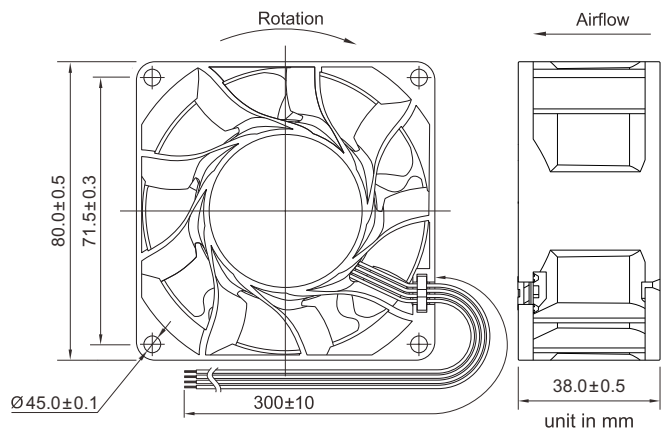
Function Available

N A I F R Q S T M V C P D W U

PERFORMANCE P-Q CURVE



OUTLINE DIMENSIONS



Please refer to *Model Numbering System* for bearing, function and speed level indication. Specifications are subject to changes without notice. Please refer to the formally issued product specification via contacting Y.S. TECH sales department. Visit Y.S. TECH web site at <http://www.ystech.com.tw> for updated information. Customized Specifications are designed accordingly