



120x120x38mm

- Airflow: 155.8~275.9 CFM
- Static Pressure: 19.3~60.4 mm-H₂O
- Blade / Housing: Plastic Material UL 94V-0 P.B.T.
- Lead Wire: UL1007 #22 AWG
- Weight: 425 g

DC AXIAL FAN

DC BLOWER

XTREME SERIES

AC AXIAL FAN

Model No.	Bearing	Rated Voltage	Operating Voltage Range	Speed	Max. Airflow	Max. Static Pressure	Current	Power Consumption	Life at 40°C L10	P-Q Curve	Noise Level
		VDC	VDC	RPM	CFM	mm-H ₂ O	mA	W	Hour		dB(A)
EYW12038012BL	2B		7~13.2	4000	155.8	19.3	1200	14.40	80000	4	54.0
EYW12038012BM	2B	12	7~13.2	5000	194.0	30.8	2200	26.40	75000	3	60.4
EYW12038012BH	2B		7~13.2	6000	236.4	48.1	3500	42.00	65000	2	64.9
EYW12038024BL	2B		12~30.0	4000	155.8	19.3	680	16.32	80000	4	54.0
EYW12038024BM	2B	24	12~30.0	5000	194.0	30.8	950	22.80	75000	3	60.4
EYW12038024BH	2B		12~30.0	6000	235.4	41.5	1700	40.80	65000	2	64.9
EYW12038024BS	2B		12~30.0	7000	275.9	60.4	2700	64.80	65000	1	69.2
EYW12038048BL	2B		35~60.0	4000	155.8	19.3	370	17.76	80000	4	54.0
EYW12038048BM	2B	48	35~60.0	5000	194.0	30.8	550	26.40	75000	3	60.4
EYW12038048BH	2B		35~60.0	6000	235.4	41.5	800	38.40	65000	2	64.9
EYW12038048BS	2B		35~60.0	7000	275.9	60.4	1300	62.40	65000	1	69.2

2B: 2-ball bearing L: sintetico bearing S: sleeve bearing

Voltage Available

05 12 24 48

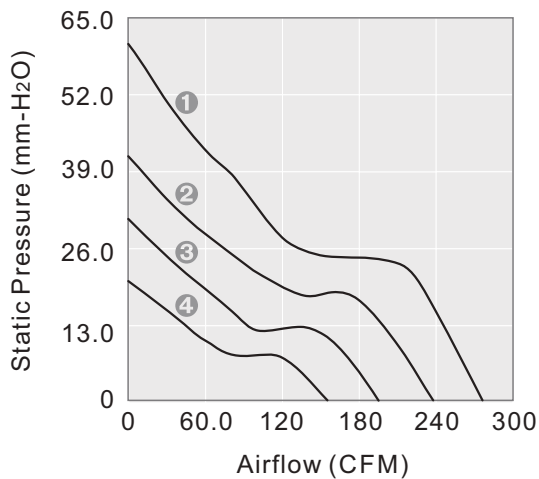
Bearing System Available

2B L S

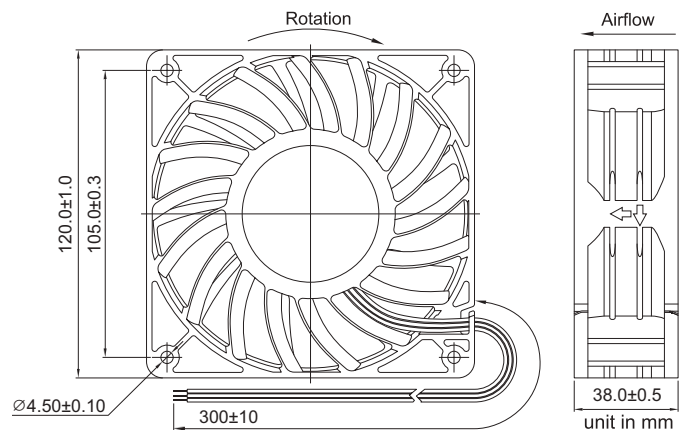
Function Available

N A I F R Q S T M V C P D W U

PERFORMANCE P-Q CURVE



OUTLINE DIMENSIONS



Please refer to *Model Numbering System* for bearing, function and speed level indication.

Specifications are subject to changes without notice. Please refer to the formally issued product specification via contacting Y.S. TECH sales department. Visit Y.S. TECH web site at <http://www.ystechusa.com> for updated information. Customized Specifications are designed accordingly