



# 40x40x20mm

- Airflow: 5.7~12.0 CFM
- Static Pressure: 3.2~11.5 mm-H<sub>2</sub>O
- Blade / Housing: Plastic Material UL 94V-0 P.B.T.
- Lead Wire: UL1007 #26 AWG
- Weight: 24 g

Model No.	Bearing	Rated Voltage	Operating Voltage Range	Speed	Max. Airflow	Max. Static Pressure	Current	Power Consumption	Life at 40°C L10	P-Q Curve	Noise Level
		VDC	VDC	RPM	CFM	mm-H <sub>2</sub> O	mA	W	Hour		dB(A)
HYW04020005LL	L	05	4~5.5	5000	5.7	3.2	250	1.25	50000	5	20.0
HYW04020005LM	L		4~5.5	6300	7.2	5.2	350	1.75	80000	4	25.5
HYW04020005LH	L		4~5.5	7600	9.0	6.4	530	2.65	75000	3	29.5
HYW04020012BL	2B	12	7~13.2	5000	5.7	3.2	70	0.84	80000	5	20.0
HYW04020012BM	2B		7~13.2	6300	7.2	5.2	100	1.20	80000	4	25.5
HYW04020012BH	2B		7~13.2	7600	9.0	6.4	140	1.68	75000	3	29.5
HYW04020012BS	2B	12	7~13.2	8900	10.5	9.2	170	2.04	65000	2	33.5
HYW04020012BU	2B		7~13.2	10000	12.0	11.5	210	2.52	65000	1	37.5
HYW04020024BL	2B		24	12~26.4	5000	5.7	3.2	40	0.96	80000	5
HYW04020024BM	2B	12~26.4		6300	7.2	5.2	50	1.20	80000	4	25.5
HYW04020024BH	2B	12~26.4		7600	9.0	6.4	70	1.68	75000	3	29.5
HYW04020024BS	2B	12~26.4		8900	10.5	9.2	100	2.40	65000	2	33.5
HYW04020024BU	2B	12~26.4		10000	12.0	11.5	130	3.12	65000	1	37.5

2B: 2-ball bearing L: sintetico bearing S: sleeve bearing

**Voltage Available**

05 12 24 48

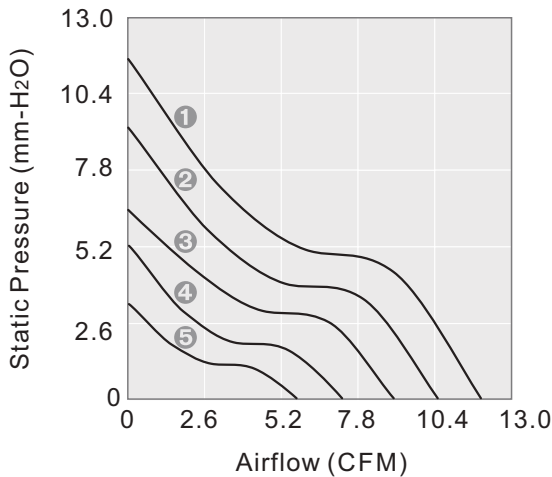
**Bearing System Available**

2B L S

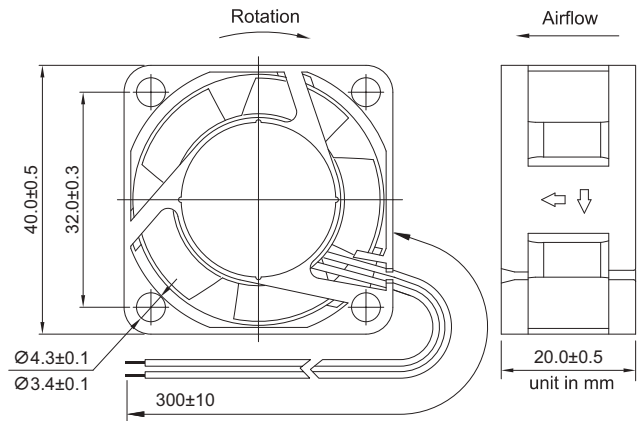
**Function Available**

N A I F R Q S T M V C P D W U

**PERFORMANCE P-Q CURVE**



**OUTLINE DIMENSIONS**



Please refer to *Model Numbering System* for bearing, function and speed level indication.

Specifications are subject to changes without notice. Please refer to the formally issued product specification via contacting Y.S. TECH sales department. Visit Y.S. TECH web site at <http://www.ystechusa.co> for updated information. Customized Specifications are designed accordingly