



60x60x25mm

- Airflow: 15.8~40.1 CFM
- Static Pressure: 2.4~14.2 mm-H₂O
- Blade / Housing: Plastic Material UL 94V-0 P.B.T.
- Lead Wire: UL1007 #24 AWG
- Weight: 56 g

Model No.	Bearing	Rated Voltage	Operating Voltage Range	Speed	Max. Airflow	Max. Static Pressure	Current	Power Consumption	Life at 40°C L10	P-Q Curve	Noise Level
		VDC	VDC	RPM	CFM	mm-H ₂ O	mA	W	Hour		dB(A)
NYW06025012BL	2B	12	7~13.2	2800	15.8	2.4	80	0.96	80000	5	23.5
NYW06025012BM	2B		7~13.2	3700	20.0	3.8	120	1.44	80000	4	29.5
NYW06025012BH	2B		7~13.2	4300	25.4	5.5	150	1.80	75000	3	34.0
NYW06025012BS	2B		7~13.2	5200	29.3	6.3	210	2.52	65000	2	40.5
NYW06025012BSS	2B		7~13.2	6800	40.1	14.2	330	3.96	65000	1	48.0
NYW06025024BL	2B	24	12~26.4	2800	15.8	2.4	50	1.20	80000	5	23.5
NYW06025024BM	2B		12~26.4	3700	20.0	3.8	70	1.68	80000	4	29.5
NYW06025024BH	2B		12~26.4	4300	25.4	5.5	90	2.16	75000	3	34.0
NYW06025024BS	2B		12~26.4	5200	29.3	6.3	110	2.64	65000	2	40.5
NYW06025024BSS	2B		12~26.4	6800	40.1	14.2	210	5.04	65000	1	48.0
NYW06025048BL	2B	48	24~56.0	2800	15.8	2.4	30	1.44	80000	5	23.5
NYW06025048BM	2B		24~56.0	3700	20.0	3.8	45	2.16	80000	4	29.5
NYW06025048BH	2B		24~56.0	4300	25.4	5.5	50	2.40	75000	3	34.0
NYW06025048BS	2B		24~56.0	5200	29.3	6.3	80	3.84	65000	2	40.5

2B: 2-ball bearing L: sintetico bearing S: sleeve bearing

Voltage Available

05 12 24 48

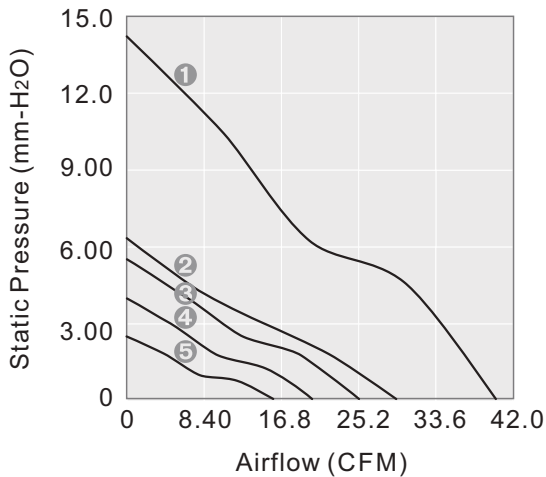
Bearing System Available

2B L S

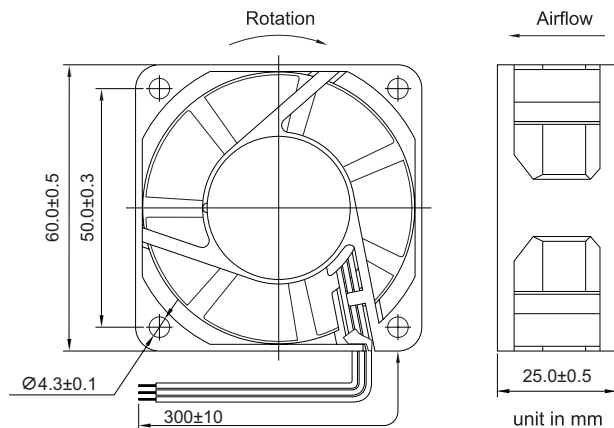
Function Available

N A I F R Q S T M V C P D W U

PERFORMANCE P-Q CURVE



OUTLINE DIMENSIONS



Please refer to *Model Numbering System* for bearing, function and speed level indication.

Specifications are subject to changes without notice. Please refer to the formally issued product specification via contacting Y.S. TECH sales department. Visit Y.S. TECH web site at <http://www.ystechusa.com> for updated information. Customized Specifications are designed accordingly