



38x38x48mm

- Airflow: 23.48~29.28 CFM
- Static Pressure: 53.9~79.1 mm-H₂O
- Blade / Housing: Plastic Material UL 94V-0 P.B.T.
- Lead Wire: UL1061 #28 AWG
- Weight: 72.4 g

Model No.	Bearing	Rated Voltage	Operating Voltage Range	Speed	Max. Airflow	Max. Static Pressure	Current	Power Consumption	Life at 40°C L10	P-Q Curve	Noise Level
		VDC	VDC	RPM	CFM	mm-H ₂ O	mA	W	Hour		dB(A)
XYW03848012BU	2B		7~13.2	25000 15000	29.28	79.1	830 830	9.96 9.96	60000	1	64.0
XYW03848012BSS	2B	12	7~13.2	23500 14500	27.62	74.6	700 700	8.40 8.40	65000	2	62.5
XYW03848012BH	2B		7~13.2	20000 12500	23.48	53.9	450 450	5.40 5.40	65000	3	59.0

2B: 2-ball bearing L: sintetico bearing S: sleeve bearing

Voltage Available

05 12 24 48

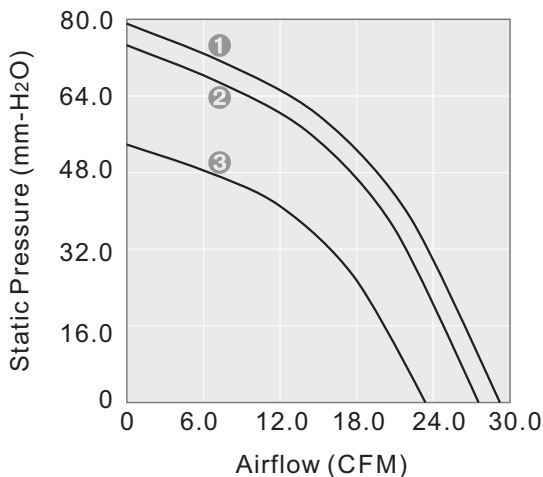
Bearing System Available

2B L S

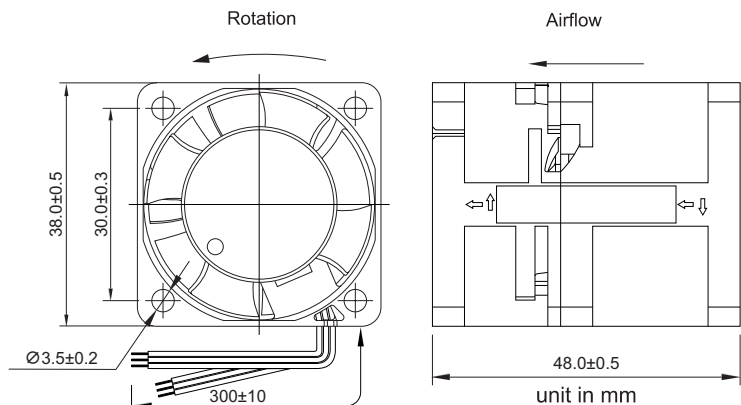
Function Available

N A L F R Q S T M V C P D W U

PERFORMANCE P-Q CURVE



OUTLINE DIMENSIONS



Please refer to *Model Numbering System* for bearing, function and speed level indication.

Specifications are subject to changes without notice. Please refer to the formally issued product specification via contacting Y.S. TECH sales department. Visit Y.S. TECH web site at <http://www.ystechusa.com> for updated information. Customized Specifications are designed accordingly